



**ASME B30.19-2016**  
(Revision of ASME B30.19-2011)

# Cableways

**Safety Standard for Cableways,  
Cranes, Derricks, Hoists, Hooks, Jacks,  
and Slings**

**AN AMERICAN NATIONAL STANDARD**



**The American Society of  
Mechanical Engineers**



**ASME B30.19-2016**  
(Revision of ASME B30.19-2011)

# Cableways

---

**Safety Standard for Cableways,  
Cranes, Derricks, Hoists, Hooks, Jacks,  
and Slings**

**AN AMERICAN NATIONAL STANDARD**



**The American Society of  
Mechanical Engineers**

Two Park Avenue • New York, NY • 10016 USA



Date of Issuance: May 25, 2016

The next edition of this Standard is scheduled for publication in 2021. This Standard will become effective 1 year after the Date of Issuance.

ASME issues written replies to inquiries concerning interpretations of technical aspects of this Standard. Interpretations are published on the Committee Web page and under [go.asme.org/InterpsDatabase](http://go.asme.org/InterpsDatabase).

Errata to codes and standards may be posted on the ASME Web site under the Committee Pages to provide corrections to incorrectly published items, or to correct typographical or grammatical errors in codes and standards. Such errata shall be used on the date posted.

The Committee Pages can be found at <http://cstools.asme.org/>. There is an option available to automatically receive an e-mail notification when errata are posted to a particular code or standard. This option can be found on the appropriate Committee Page after selecting “Errata” in the “Publication Information” section.

ASME is the registered trademark of The American Society of Mechanical Engineers.

This code or standard was developed under procedures accredited as meeting the criteria for American National Standards. The Standards Committee that approved the code or standard was balanced to assure that individuals from competent and concerned interests have had an opportunity to participate. The proposed code or standard was made available for public review and comment that provides an opportunity for additional public input from industry, academia, regulatory agencies, and the public-at-large.

ASME does not “approve,” “rate,” or “endorse” any item, construction, proprietary device, or activity.

ASME does not take any position with respect to the validity of any patent rights asserted in connection with any items mentioned in this document, and does not undertake to insure anyone utilizing a standard against liability for infringement of any applicable letters patent, nor assume any such liability. Users of a code or standard are expressly advised that determination of the validity of any such patent rights, and the risk of infringement of such rights, is entirely their own responsibility.

Participation by federal agency representative(s) or person(s) affiliated with industry is not to be interpreted as government or industry endorsement of this code or standard.

ASME accepts responsibility for only those interpretations of this document issued in accordance with the established ASME procedures and policies, which precludes the issuance of interpretations by individuals.

No part of this document may be reproduced in any form,  
in an electronic retrieval system or otherwise,  
without the prior written permission of the publisher.

The American Society of Mechanical Engineers  
Two Park Avenue, New York, NY 10016-5990

Copyright © 2016 by  
THE AMERICAN SOCIETY OF MECHANICAL ENGINEERS  
All rights reserved  
Printed in U.S.A.

## CONTENTS

Foreword .....	iv
Committee Roster .....	vi
B30 Standard Introduction .....	viii
Summary of Changes .....	xi
<b>Chapter 19-0 Scope, Definitions, Personnel Competence, and References .....</b>	<b>1</b>
Section 19-0.1 Scope of B30.19 .....	1
Section 19-0.2 Definitions .....	1
Section 19-0.3 Personnel Competence .....	2
Section 19-0.4 References .....	3
<b>Chapter 19-1 Construction and Characteristics .....</b>	<b>10</b>
Section 19-1.1 Load Ratings .....	10
Section 19-1.2 Design and Manufacture .....	10
Section 19-1.3 Construction and Erection .....	10
<b>Chapter 19-2 Inspection, Testing, and Maintenance .....</b>	<b>16</b>
Section 19-2.1 Inspection .....	16
Section 19-2.2 Testing .....	17
Section 19-2.3 Maintenance .....	17
Section 19-2.4 Rope Inspection, Replacement, and Maintenance .....	18
<b>Chapter 19-3 Operation .....</b>	<b>20</b>
Section 19-3.1 Operator Qualifications and Operating Practice .....	20
Section 19-3.2 Operating Practices .....	21
Section 19-3.3 Signals .....	22
Section 19-3.4 Miscellaneous .....	22
<b>Figures</b>	
19-0.2.1-1 Fixed Cableway .....	4
19-0.2.1-2 Luffing Cableway .....	5
19-0.2.1-3 Parallel Cableway .....	6
19-0.2.1-4 Radial Cableway .....	7
19-0.2.2-1 Two-Drum Cableway Hoist .....	8
19-0.2.2-2 Trolley Hoist Unit .....	8
19-0.2.2-3 Multisheave Endless Rope Trolley Hoist Unit .....	8
19-0.2.2-4 Luffing Hoist Unit .....	9
19-1.3.12-1 Standard Hand Signals for Controlling Cableway Operations .....	14
19-3.4.4-1 Danger Zone for Cableways and Lifted Loads Operating Near Electrical Transmission Lines .....	23
<b>Table</b>	
19-3.4.4-1 Required Clearance for Normal Voltage in Operation Near High Voltage Power Lines .....	23



## FOREWORD

This American National Standard, Safety Standard for Cableways, Cranes, Derricks, Hoists, Hooks, Jacks, and Slings, has been developed under the procedures accredited by the American National Standards Institute (ANSI). This Standard had its beginning in December 1916 when an eight-page Code of Safety Standards for Cranes, prepared by an ASME Committee on the Protection of Industrial Workers, was presented at the annual meeting of ASME.

Meetings and discussions regarding safety on cranes, derricks, and hoists were held from 1920 to 1925 involving the ASME Safety Code Correlating Committee, the Association of Iron and Steel Electrical Engineers, the American Museum of Safety, the American Engineering Standards Committee (AESC) [later changed to American Standards Association (ASA), then to the United States of America Standards Institute (USASI), and finally to ANSI], Department of Labor — State of New Jersey, Department of Labor and Industry — State of Pennsylvania, and the Locomotive Crane Manufacturers Association. On June 11, 1925, AESC approved the ASME Safety Code Correlating Committee's recommendation and authorized the project with the U.S. Department of the Navy, Bureau of Yards and Docks, and ASME as sponsors.

In March 1926, invitations were issued to 50 organizations to appoint representatives to a Sectional Committee. The call for organization of this Sectional Committee was sent out October 2, 1926, and the committee organized November 4, 1926, with 57 members representing 29 national organizations. Commencing June 1, 1927, and using the eight-page code published by ASME in 1916 as a basis, the Sectional Committee developed the Safety Code for Cranes, Derricks, and Hoists. The early drafts of this safety code included requirements for jacks, but, due to inputs and comments on those drafts, the Sectional Committee decided in 1938 to make the requirements for jacks a separate code. In January 1943, ASA B30.2-1943 was published addressing a multitude of equipment types, and in August 1943, ASA B30.1-1943 was published addressing just jacks. Both documents were reaffirmed in 1952 and widely accepted as safety standards.

Due to changes in design, advancement in techniques, and general interest of labor and industry in safety, the Sectional Committee, under the joint sponsorship of ASME and the Bureau of Yards and Docks (now the Naval Facilities Engineering Command), was reorganized on January 31, 1962, with 39 members representing 27 national organizations. The new committee changed the format of ASA B30.2-1943 so that the multitude of equipment types it addressed could be published in separate volumes that could completely cover the construction, installation, inspection, testing, maintenance, and operation of each type of equipment that was included in the scope of ASA B30.2. This format change resulted in the initial publication of B30.3, B30.5, B30.6, B30.11, and B30.16 being designated as revisions of B30.2 with the remainder of the B30 volumes being published as totally new volumes. ASA changed its name to USASI in 1966 and to ANSI in 1969, which resulted in B30 volumes from 1943 to 1968 being designated as either ASA B30, USASI B30, or ANSI B30 depending on their date of publication.

In 1982, the Committee was reorganized as an Accredited Organization Committee, operating under procedures developed by ASME and accredited by ANSI. This Standard presents a coordinated set of rules that may serve as a guide to government and other regulatory bodies and municipal authorities responsible for the guarding and inspection of the equipment falling within its scope. The suggestions leading to accident prevention are given both as mandatory and advisory provisions; compliance with both types may be required by employers of their employees.

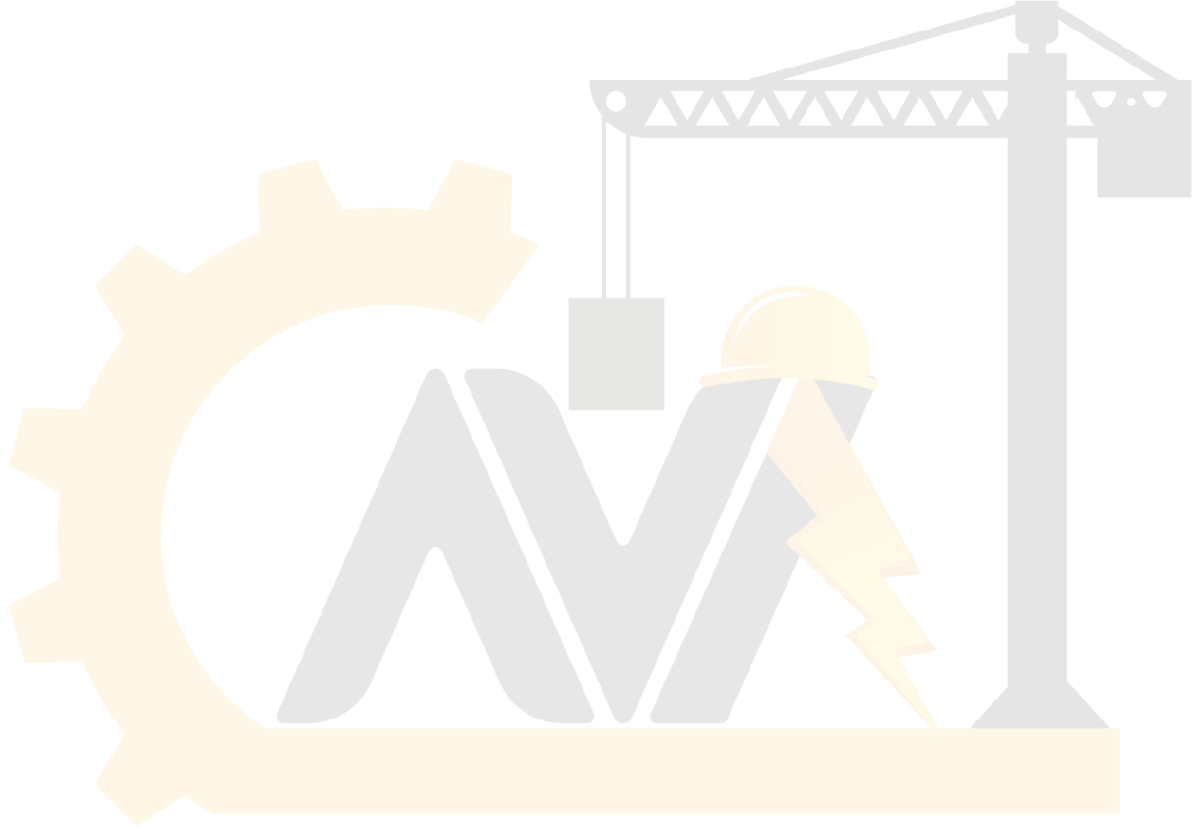
In case of practical difficulties, new developments, or unnecessary hardship, the administrative or regulatory authority may grant variances from the literal requirements or permit the use of other devices or methods but only when it is clearly evident that an equivalent degree of protection is thereby secured. To secure uniform application and interpretation of this Standard, administrative or regulatory authorities are urged to consult the B30 Committee, in accordance with the format described in Section IX of the Introduction, before rendering decisions on disputed points.



Safety codes and standards are intended to enhance public safety. Revisions result from committee consideration of factors such as technological advances, new data, and changing environmental and industry needs. Revisions do not imply that previous editions were inadequate.

The first edition of B30.19 was issued in 1986; new editions were published in 1993, 2000, 2005, and 2011. This 2016 Edition includes revisions to add personnel competence requirements, revised references, updated inspection, and testing requirements.

This Volume of the Standard, which was approved by the B30 Committee and by ASME, was approved by ANSI and designated as an American National Standard on April 18, 2016.



# آریا ایمن آوات



# ASME B30 COMMITTEE

## Safety Standard for Cableways, Cranes, Derricks, Hoists, Hooks, Jacks, and Slings

(The following is the roster of the Committee at the time of approval of this Standard.)

### STANDARDS COMMITTEE OFFICERS

**B. D. Closson**, *Chair*  
**T. L. Blanton**, *Vice Chair*  
**K. M. Hyam**, *Secretary*

### STANDARDS COMMITTEE PERSONNEL

**N. E. Andrew**, LTS Cranes Mechanical  
**M. Eggenberger**, *Alternate*, Berry Contracting, Inc.  
**G. Austin**, Terex Corp.  
**T. L. Blanton**, NACB Group, Inc.  
**P. A. Boeckman**, The Crosby Group, Inc.  
**E. E. Lutter**, *Alternate*, The Crosby Group, Inc.  
**P. W. Boyd**, The Boeing Co.  
**B. D. Closson**, Craft Forensic Services  
**J. A. Danielson**, The Boeing Co.  
**B. M. Casey**, *Alternate*, General Dynamics Electric Boat  
**D. R. Decker**, Becket, LLC  
**L. D. DeMark**, Equipment Training Solutions, LLC  
**D. F. Jordan**, *Alternate*, BP America  
**D. W. Eckstine**, Eckstine & Associates  
**G. J. Brent**, *Alternate*, NCCCO  
**R. J. Edwards**, NBIS Claims and Risk Management, Inc.  
**A. J. Egging**, National Oilwell Varco  
**R. Stanoch**, *Alternate*, National Oilwell Varco  
**E. D. Fidler**, The Manitowoc Co.  
**G. D. Miller**, *Alternate*, The Manitowoc Co.  
**J. A. Gilbert**, Associated Wire Rope Fabricators  
**J. L. Gordon**, Acco Chain & Lifting Products  
**N. C. Hargreaves**, Hargreaves Consulting, LLC  
**G. B. Hetherston**, Consultant  
**R. J. Bolen**, *Alternate*, E. I. DuPont  
**K. M. Hyam**, The American Society of Mechanical Engineers  
**M. M. Jaxheimer**, Navy Crane Center  
**S. R. Gridley**, *Alternate*, Navy Crane Center  
**P. R. Juhren**, Morrow Equipment Co., LLC  
**M. J. Quinn**, *Alternate*, Morrow Equipment Co., LLC  
**R. M. Kohner**, Landmark Engineering Services, Ltd.  
**D. Duerr**, *Alternate*, 2DM Associates, Inc.  
**A. J. Lusi, Jr.**, Lumark Consulting, LLP  
**K. J. Shinn**, *Alternate*, K. J. Shinn, Inc.  
**E. K. Marburg**, Columbus McKinnon Corp.  
**J. R. Burkey**, *Alternate*, Columbus McKinnon Corp.  
**L. D. Means**, Means Engineering & Consulting  
**D. A. Henninger**, *Alternate*, Bridon American  
**M. W. Mills**, Liberty Mutual Insurance  
**D. M. Gordon**, *Alternate*, Liberty Mutual Insurance  
**D. L. Morgan**, Critical Lift Consultants, LLC  
**T. C. Mackey**, *Alternate*, WRPS Hanford  
**W. E. Osborn**, Ingersoll Rand  
**S. D. Wood**, *Alternate*, Link-Belt Construction Equipment Co.  
**R. M. Parnell**, Industrial Training International  
**W. C. Dickinson, Jr.**, *Alternate*, Industrial Training International  
**J. T. Perkins**, Solarex  
**J. R. Schober**, *Alternate*, American Bridge Co.  
**B. A. Pickett**, Systems Engineering and Forensic Services  
**S. K. Rammelsberg**, Chicago Bridge & Iron Co.  
**J. E. Richardson**, Navy Crane Center  
**K. Kennedy**, *Alternate*, Navy Crane Center  
**D. W. Ritchie**, David Ritchie Consultant, LLC  
**L. K. Shapiro**, *Alternate*, Howard I. Shapiro & Associates  
**J. W. Rowland III**, Consultant  
**D. A. Moore**, *Alternate*, Unified Engineering  
**J. C. Ryan**, Boh Bros. Construction Co., LLC  
**A. R. Ruud**, *Alternate*, Atkinson Construction  
**D. W. Smith**, STI Group  
**W. J. Smith, Jr.**, NBIS Claims and Risk Management, Inc.  
**J. Schoppert**, *Alternate*, NBIS Claims and Risk Management, Inc.  
**R. S. Stemp**, Lampson International, LLC  
**E. P. Vliet**, *Alternate*, Turner Industries Group  
**R. G. Strain**, Advanced Crane Technologies, LLC  
**J. Sturm**, Sturm Corp.  
**P. D. Sweeney**, General Dynamics Electric Boat  
**J. D. Wiethorn**, Haag Engineering Co.  
**M. Gardiner**, *Alternate*, Haag Engineering Co.  
**R. C. Wild**, CJ Drilling, Inc.  
**J. Dudley**, *Alternate*, Archer Western Contractors  
**D. N. Wolff**, National Crane/Manitowoc Crane Group  
**J. A. Pilgrim**, *Alternate*, Manitowoc Crane Group



## HONORARY MEMBERS

**J. W. Downs, Jr.**, Downs Crane and Hoist Co.  
**J. L. Franks**, Consultant  
**C. W. Ireland**, National Oilwell Varco  
**J. M. Klibert**, Lift-All Co., Inc.  
**R. W. Parry**, Consultant

## B30.19 SUBCOMMITTEE PERSONNEL

**J. A. Gilbert**, *Chair*, Associated Wire Rope Fabricators  
**W. C. Dickinson, Jr.**, Crane Industry Services, LLC  
**J. D. Dudley**, Archer Western Contractors  
**C. W. Ireland**, National Oilwell Varco  
**T. C. Mackey**, Washington River Protection Solutions Hanford  
**L. D. Means**, Means Engineering and Consulting/Wire Rope Technical Board  
**R. M. Parnell**, Wire Rope Rigging Consultants/Industrial Training International, Inc.  
**J. Parnell**, *Alternate*, Wire Rope Rigging Consultants/Industrial Training International, Inc.  
**R. G. Strain**, Advanced Crane Technologies, LLC  
**G. R. Wendt**, U.S. Bureau of Reclamation — Hoover Dam  
**R. C. Wild**, CJ Drilling, Inc.

## B30 INTEREST REVIEW GROUP

**O. Akinboboye**, Ropetech Engineering Services  
**J. D. Cannon**, Consultant  
**M. J. Eggenberger**, Berry Contracting, Inc.  
**A. Gomes Rocha**, Belgo Bekaert Arames  
**H. A. Hashem**, Saudi Aramco  
**J. Hui**, School of Civil Engineering, Nanjing  
**C. Lan**, U.S. Department of the Interior — Bureau of Safety and Environmental Enforcement  
**A. C. Mattoli**, Prowinch, LLC  
**J. P. Muhlbauer**, All Ship and Cargo Surveys, Ltd.  
**M. W. Osborne**, E-Crane International USA  
**G. L. Owens**, Consultant  
**D. R. Remus**, Reed Manufacturing  
**W. G. Rumburg**, Crane Consultants, Inc.  
**C.-C. Tsauro**, Institute of Occupational Safety and Health

## B30 REGULATORY AUTHORITY COUNCIL

**C. Shelhamer**, *Chair*, New York City Department of Buildings  
**A. O. Omran**, *Alternate*, New York City Department of Buildings  
**K. M. Hyam**, *Secretary*, The American Society of Mechanical Engineers  
**L. G. Campion**, U.S. Department of Labor/OSHA  
**R. Feidt**, Stephenson Equipment, Inc.  
**C. Harris**, City of Chicago — Department of Buildings  
**R. D. Jackson**, U.S. Department of Labor  
**J. L. Lankford**, State of Nevada (OSHA)  
**A. Lundeen**, State of Washington — Department of Labor and Industries  
**M. J. Nelmda**, State of California — OSH Standards Board  
**G. E. Pushies**, Michigan Occupational Safety and Health Administration  
**C. N. Stribling, Jr.**, Kentucky Labor Cabinet  
**T. Taylor**, State of Minnesota — Department of Labor and Industry

آریا ایمن آوات





# SAFETY STANDARD FOR CABLEWAYS, CRANES, DERRICKS, HOISTS, HOOKS, JACKS, AND SLINGS

(16)

## B30 STANDARD INTRODUCTION

### SECTION I: SCOPE

The ASME B30 Standard contains provisions that apply to the construction, installation, operation, inspection, testing, maintenance, and use of cranes and other lifting and material-movement related equipment. For the convenience of the reader, the Standard has been divided into separate volumes. Each volume has been written under the direction of the ASME B30 Standard Committee and has successfully completed a consensus approval process under the general auspices of the American National Standards Institute (ANSI).

As of the date of issuance of this Volume, the B30 Standard comprises the following volumes:

- B30.1 Jacks, Industrial Rollers, Air Casters, and Hydraulic Gantries
- B30.2 Overhead and Gantry Cranes (Top Running Bridge, Single or Multiple Girder, Top Running Trolley Hoist)
- B30.3 Tower Cranes
- B30.4 Portal and Pedestal Cranes
- B30.5 Mobile and Locomotive Cranes
- B30.6 Derricks
- B30.7 Winches
- B30.8 Floating Cranes and Floating Derricks
- B30.9 Slings
- B30.10 Hooks
- B30.11 Monorails and Underhung Cranes
- B30.12 Handling Loads Suspended From Rotorcraft
- B30.13 Storage/Retrieval (S/R) Machines and Associated Equipment
- B30.14 Side Boom Tractors
- B30.15 Mobile Hydraulic Cranes  
(withdrawn 1982 — requirements found in latest revision of B30.5)
- B30.16 Overhead Hoists (Underhung)
- B30.17 Overhead and Gantry Cranes (Top Running Bridge, Single Girder, Underhung Hoist)
- B30.18 Stacker Cranes (Top or Under Running Bridge, Multiple Girder With Top or Under Running Trolley Hoist)
- B30.19 Cableways
- B30.20 Below-the-Hook Lifting Devices
- B30.21 Manually Lever-Operated Hoists
- B30.22 Articulating Boom Cranes

- B30.23 Personnel Lifting Systems
- B30.24 Container Cranes
- B30.25 Scrap and Material Handlers
- B30.26 Rigging Hardware
- B30.27 Material Placement Systems
- B30.28 Balance Lifting Units
- B30.29 Self-Erecting Tower Cranes
- B30.30 Ropes<sup>1</sup>

### SECTION II: SCOPE EXCLUSIONS

Any exclusion of, or limitations applicable to the equipment, requirements, recommendations or operations contained in this Standard are established in the affected volume's scope.

### SECTION III: PURPOSE

The B30 Standard is intended to

- (a) prevent or minimize injury to workers, and otherwise provide for the protection of life, limb, and property by prescribing safety requirements
- (b) provide direction to manufacturers, owners, employers, users, and others concerned with, or responsible for, its application
- (c) guide governments and other regulatory bodies in the development, promulgation, and enforcement of appropriate safety directives

### SECTION IV: USE BY REGULATORY AGENCIES

These volumes may be adopted in whole or in part for governmental or regulatory use. If adopted for governmental use, the references to other national codes and standards in the specific volumes may be changed to refer to the corresponding regulations of the governmental authorities.

### SECTION V: EFFECTIVE DATE

(a) *Effective Date.* The effective date of this Volume of the B30 Standard shall be 1 yr after its date of issuance.

<sup>1</sup> This volume is currently in the development process.



tion, installation, inspection, testing, maintenance and operation of equipment manufactured and facilities constructed after the effective date of this Volume shall conform to the mandatory requirements of this Volume.

(b) *Existing Installations.* Equipment manufactured and facilities constructed prior to the effective date of this Volume of the B30 Standard shall be subject to the inspection, testing, maintenance, and operation requirements of this Standard after the effective date.

It is not the intent of this Volume of the B30 Standard to require retrofitting of existing equipment. However, when an item is being modified, its performance requirements shall be reviewed relative to the requirements within the current volume. The need to meet the current requirements shall be evaluated by a qualified person selected by the owner (user). Recommended changes shall be made by the owner (user) within 1 yr.

## SECTION VI: REQUIREMENTS AND RECOMMENDATIONS

Requirements of this Standard are characterized by use of the word *shall*. Recommendations of this Standard are characterized by the word *should*.

## SECTION VII: USE OF MEASUREMENT UNITS

This Standard contains SI (metric) units as well as U.S. Customary units. The values stated in U.S. Customary units are to be regarded as the standard. The SI units are a direct (soft) conversion from the U.S. Customary units.

## SECTION VIII: REQUESTS FOR REVISION

The B30 Standard Committee will consider requests for revision of any of the volumes within the B30 Standard. Such requests should be directed to

Secretary, B30 Standard Committee  
ASME Codes and Standards  
Two Park Avenue  
New York, NY 10016-5990

Requests should be in the following format:

- Volume: Cite the designation and title of the volume.  
Edition: Cite the applicable edition of the volume.  
Subject: Cite the applicable paragraph number(s) and the relevant heading(s).  
Request: Indicate the suggested revision.  
Rationale: State the rationale for the suggested revision.

Upon receipt by the Secretary, the request will be forwarded to the relevant B30 Subcommittee for consideration and action. Correspondence will be provided to

the requester defining the actions undertaken by the B30 Standard Committee.

## SECTION IX: REQUESTS FOR INTERPRETATION

The B30 Standard Committee will render an interpretation of the provisions of the B30 Standard. An Interpretation Submittal Form is available on ASME's website at <http://cstools.asme.org/Interpretation/InterpretationForm.cfm>.

Phrase the question as a request for an interpretation of a specific provision suitable for general understanding and use, not as a request for approval of a proprietary design or situation. Plans or drawings that explain the question may be submitted to clarify the question. However, they should not contain any proprietary names or information. Read carefully the note addressing the types of requests that the B30 Standard Committee can and cannot consider.

Upon submittal, the request will be forwarded to the relevant B30 Subcommittee for a draft response, which will then be subject to approval by the B30 Standard Committee prior to its formal issuance. The B30 Standard Committee may rewrite the question for the sake of clarity.

Interpretations to the B30 Standard will be available online at <https://cstools.asme.org/Interpretation/SearchInterpretation.cfm>.

## SECTION X: ADDITIONAL GUIDANCE

The equipment covered by the B30 Standard is subject to hazards that cannot be abated by mechanical means, but only by the exercise of intelligence, care, and common sense. It is therefore essential to have personnel involved in the use and operation of equipment who are competent, careful, physically and mentally qualified, and trained in the proper operation of the equipment and the handling of loads. Serious hazards include, but are not limited to, improper or inadequate maintenance, overloading, dropping or slipping of the load, obstructing the free passage of the load, and using equipment for a purpose for which it was not intended or designed.

The B30 Standard Committee fully realizes the importance of proper design factors, minimum or maximum dimensions, and other limiting criteria of wire rope or chain and their fastenings, sheaves, sprockets, drums, and similar equipment covered by the standard, all of which are closely connected with safety. Sizes, strengths, and similar criteria are dependent on many different factors, often varying with the installation and uses. These factors depend on

- the condition of the equipment or material
- the loads
- the acceleration or speed of the ropes, chains, sheaves, sprockets, or drums



e of attachments

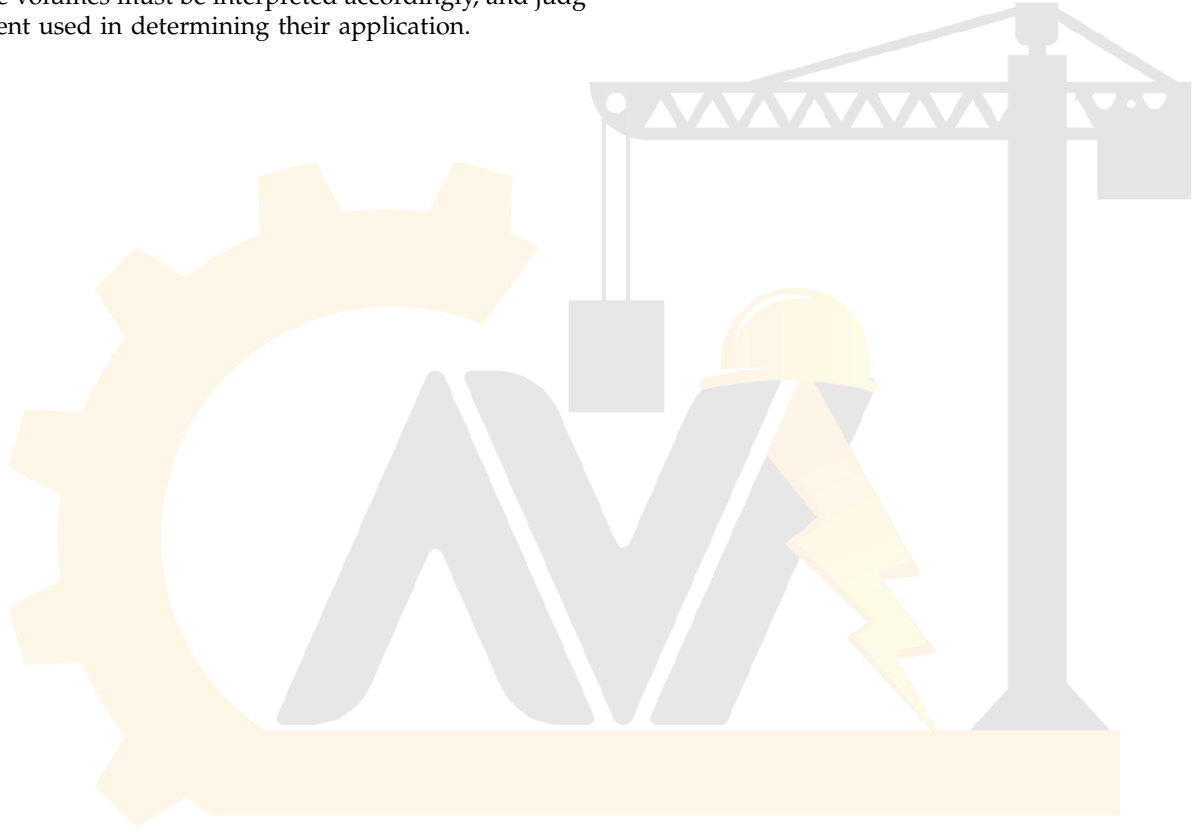
number, size, and arrangement of sheaves or

parts

(f) environmental conditions causing corrosion or wear

(g) many variables that must be considered in each individual case

The requirements and recommendations provided in the volumes must be interpreted accordingly, and judgment used in determining their application.



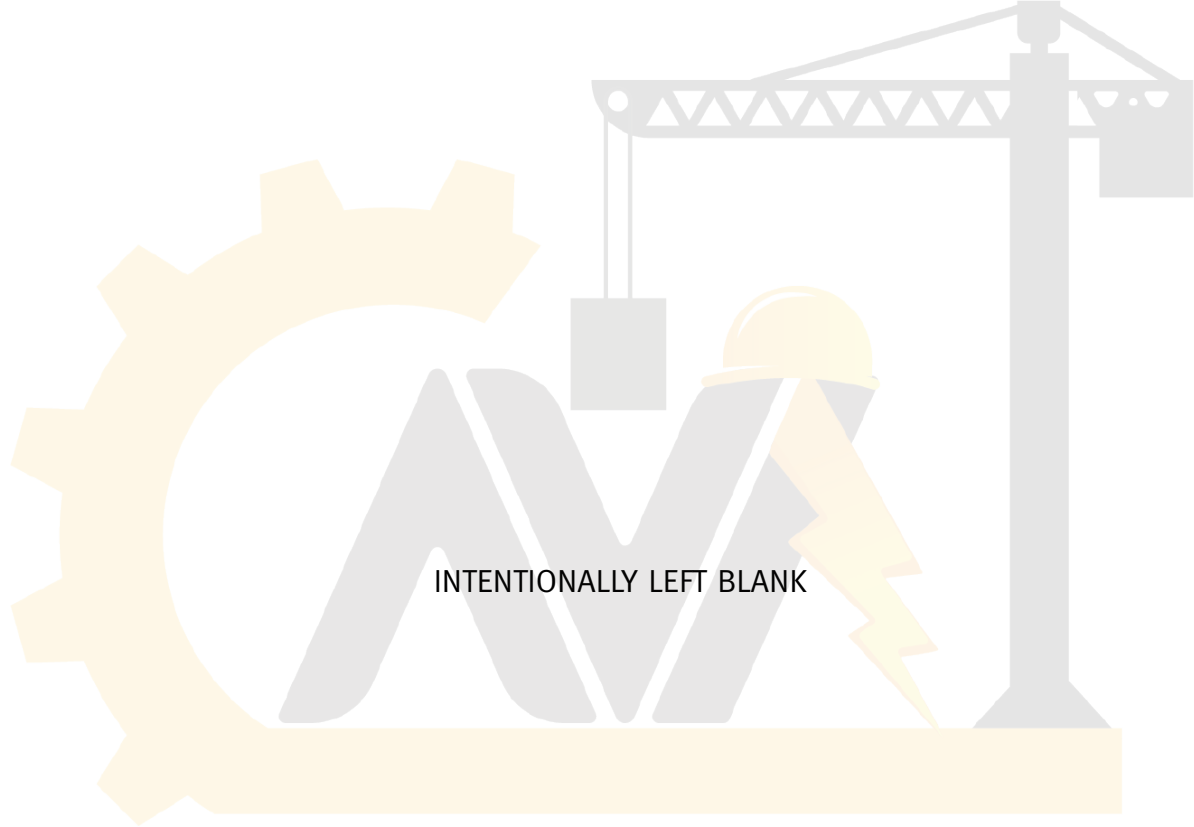
# آریا ایمن آوات

## ASME B30.19-2016 SUMMARY OF CHANGES

Following approval by the ASME B30 Committee and ASME, and after public review, ASME B30.19-2016 was approved by the American National Standards Institute on April 18, 2016.

ASME B30.19-2016 includes editorial changes, revisions, and corrections, as well as the following changes identified by a margin note, (16).

Page	Location	Change
viii–x	B30 Standard Introduction	Updated
1–3	Chapter 19-0	Title revised
	19-0.2.2	(1) Definitions of <i>appointed</i> , <i>authorized</i> , and <i>designated</i> deleted (2) Definition of <i>lazy guy</i> revised
	Section 19-0.3	Added
	Section 19-0.4	Updated
13	19-1.3.11	Subparagraph (a)(1) revised
16	Section 19-2.1	Revised in its entirety
17	Section 19-2.2	Revised in its entirety
	19-2.3.1	Subparagraph (a) revised
	19-2.3.2	Subparagraph (g) revised
18, 19	Section 19-2.4	First paragraph added
	19-2.4.2	Subparagraphs (a)(1), (b)(2), and (b)(2)-(b) revised
	19-2.4.3	Former subpara. (b)(4) deleted, and remaining subparagraphs redesignated
20	19-3.1.1	Revised in its entirety



# آریا ایمن آوات

## CABLEWAYS

### Chapter 19-0

## Scope, Definitions, Personnel Competence, and References

(16)

### SECTION 19-0.1: SCOPE OF B30.19

Within the general scope defined in Section I of the Introduction, the scope of B30.19 applies to all load transporting, hoisting, and lowering cable-supported systems operating on and supported from track cable(s). This Standard does not apply to skyline systems, as used in the logging industry, or slackline systems used for excavating.

### SECTION 19-0.2: DEFINITIONS

#### 19-0.2.1 Types of Cableways

*fixed cableway*: a cableway consisting of fixed (nonluffing) towers (masts) that support the track cable(s). The lower and upper load blocks are supported by a carriage powered by inhaul and outhaul ropes to travel on the track cable(s). The function is to lift, lower, and transport loads a distance between the towers (see Fig. 19-0.2.1-1).

*luffing cableway*: a cableway similar to a fixed cableway except the towers (masts) are not fixed. By the use of powered luffing guys, the towers (masts) can be leaned in either direction transverse to the track cable(s) span, providing a lateral movement of the load block (see Fig. 19-0.2.1-2).

*parallel cableway*: a cableway similar to a fixed cableway except the towers are supported by wheels that are powered for lateral movement on parallel tracks (see Fig. 19-0.2.1-3).

*radial cableway*: a cableway that has a fixed (nonluffing) tower and a tower supported by wheels powered for travel on a track that follows an arc at a radius about the fixed tower (see Fig. 19-0.2.1-4).

#### (16) 19-0.2.2 General

*accessory*: a secondary part or assembly of parts that contributes to the overall function and usefulness of the machine.

*administrative or regulatory authority*: governmental agency, or the employer in the absence of governmental jurisdiction.

*brake*: a device, other than a motor, used for retarding or stopping motion by means of friction or power.

*button line*: a rope suspended between the top of the cableway towers to position the slack carriers at predetermined locations as the trolley moves longitudinally along the track cable. The button line is normally above and clear of the track cables. The buttons attached to the button line are of varying sizes to permit some of the slack carriers to pass by while stopping the carrier designated for that location.

*cab*: a housing provided for the operator in which the cableway controls are contained.

*cableway*: a device used for hoisting, lowering, and transporting loads within a prescribed path, longitudinally and laterally. The load block (upper) travels on a rope catenary system having span ends that are supported on fixed or movable towers (masts) or other elevated supports.

*carriage (trolley)*: a framework that travels by its sheaves (wheels) on the track cable(s). It is pulled along the track cable by the inhaul-outhaul rope and includes the upper load block (see Fig. 19-0.2.1-1).

*designer (original)*: the qualified person or persons designated to design the components of a cableway for a given set of circumstances relating to, but not limited to, capacity, span, height, and terrain (also, see *manufacturer*).

*designer (other than original)*: the qualified person or persons designated to modify the design or arrangement of an existing cableway to a new set of circumstances.

*design factor, rope*: the ratio of minimum breaking force to working load.

*drift*: the act of pulling or pushing the lower load block or load horizontally by means of an external force.

*drum*: the cylindrical member around which a rope is wound and through which power is transmitted to the ropes.

*gypsy spool (winch head)*: a rotating cylindrical drum with curved end flanges used for load handling by means





coiled about its barrel with hand tension on the nonloaded end.

**head tower (mast):** a vertical support structure, guyed or counterweighted for stability, whose purpose is to support the track cable and operating ropes. The head tower is the tower located closest to the load hoist and inhaul-outhaul hoist.

**inhaul-outhaul (rope):** the rope system that pulls the trolley and load toward the head tower (inhaul), or pulls the trolley and load away from the head tower (outhaul).

**inhaul-outhaul hoist (trolley hoist):** a hoist having two drums, one of which winds on rope while the other drum simultaneously unwinds rope; or a single drum hoist from which the rope winds on one end while the rope unwinds from the other drum end (see Figs. 19-0.2.2-1, 19-0.2.2-2, and 19-0.2.2-3). The hoist is powered by a prime mover.

**lazy guy:** fixed length member(s) of rope that prevents luffing the tower(s) (mast) beyond the distance established by the luffing hoist.

**load, maximum design:** the forces in a particular component of the cableway resulting from the loading condition that causes the highest stress in that component.

**load, working:** the external load applied to the cableway lower load block, including the weight of load-attaching equipment such as shackles, slings, etc.

**load block, lower:** the assembly of hook or shackle, swivel, sheaves, pins, and frame suspended by the hoisting rope.

**load block, upper:** the assembly of sheaves, pins, and frame from which the hoisting rope suspends the lower load block. The block may be an integral part of the trolley or suspended from the trolley.

**load hoist:** a hoist drum and rope reeving system used for hoisting and lowering loads.

**load ratings:** working load rating in pounds (kilograms) or tons established by the designer.

**luffing:** the tilting of the cableway towers to achieve movement of the load block transverse to the center line of the cableway.

**luffing hoist:** the hoist drum and rope reeving system used for luffing a cableway tower (mast) (see Fig. 19-0.2.2-4).

**manufacturer:** a firm that produces fabricated or assembled segments of the cableway. The segments include, but are not limited to, towers, ropes, track cable, trolley, hoists, and load blocks.

**messenger line:** an auxiliary rope suspended between the towers of the cableway to intermittently support electric power cables or other cables. The messenger line is normally at the very top of the towers, above and clear of the button line.

**minimum breaking force:** the minimum load at which a new and unused wire rope will break when loaded to destruction in direct tension.

**operating ropes:** wire ropes attached to a hoist for the purpose of pulling or lifting.

**overhaul:** the action of pulling on a rope or set of falls to remove slack and unwind the rope from the hoist drum.

**pitch diameter:** the diameter of a sheave or rope drum measured at the center line of the rope.

**qualified person:** a person who, by possession of a recognized degree in an applicable field, or certificate of professional standing, or who, by extensive knowledge, training, and experience, has successfully demonstrated the ability to solve or resolve problems relating to the subject matter and work.

**rope:** refers to wire rope unless otherwise specified.

**rotation-resistant rope:** a wire rope consisting of a layer of strand laid in one direction covered by a layer of strand laid in the opposite direction. This has the effect of counteracting torque and reducing the tendency of the finished rope to rotate.

**shall:** indicates that the rule is mandatory and must be followed.

**should:** indicates that the rule is a recommendation, the advisability of which depends on the facts in each situation.

**slack carrier:** a device that travels on the track cable to support the operating ropes when they are slack.

**tail tower (mast):** a vertical support structure, guyed or counterweighted for stability, the purpose of which is to support the track cable and operating ropes. The tail tower is the tower located furthest from the load hoist and inhaul-outhaul hoist.

**thrust track:** as support for a traveling tower, a rail(s) designed and constructed to withstand the horizontal and vertical resultant cableway forces perpendicular to the direction of tower travel.

**ton, long:** 2,240 lb.

**ton, short:** 2,000 lb.

**track cable:** the rope(s), spanning between the towers, that supports the trolley, load blocks, slack carriers, and load.

**trolley:** see carriage.

**two-blocking:** the condition in which the lower load block or hook assembly comes in contact with the upper load block.

### SECTION 19-0.3: PERSONNEL COMPETENCE

(16)

Persons performing the functions identified in this Volume shall meet the applicable qualifying criteria



this Volume and shall, through education, training, experience, skill, and physical fitness, as necessary, be competent and capable to perform the functions as determined by the employer or employer's representative.

(16) **SECTION 19-0.4: REFERENCES**

The following is a list of publications referenced in this Standard:

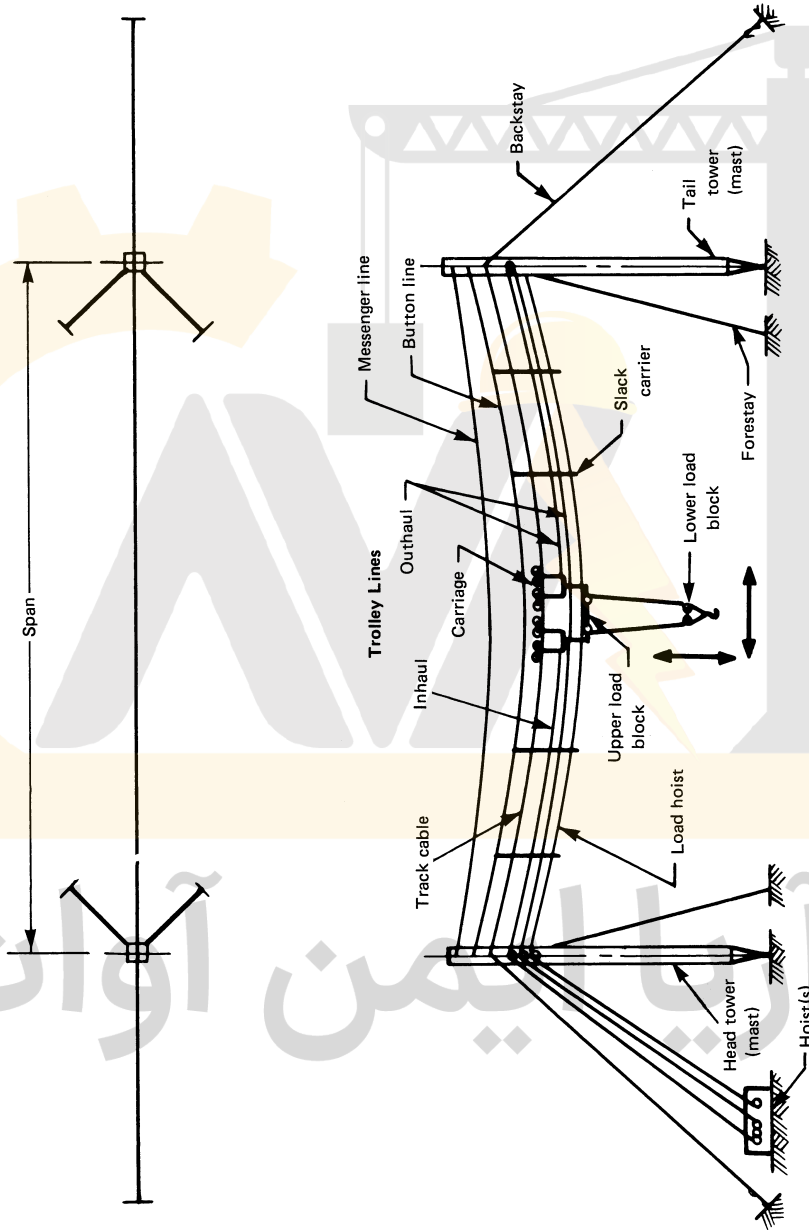
- ANSI A10.28-2011, Safety Requirements for Work Platforms Suspended From Cranes or Derricks  
ANSI A14.3-2008, Safety Requirements for Fixed Ladders  
ANSI Z26.1-1990, Safety Code for Safety Glazing Material for Glazing Motor Vehicles Operating on Land Highways  
ANSI Z244.1-2003 (R2014), Lockout/Tagout  
Publisher: American National Standards Institute (ANSI), 25 West 43rd Street, New York, NY 10036 (www.ansi.org)

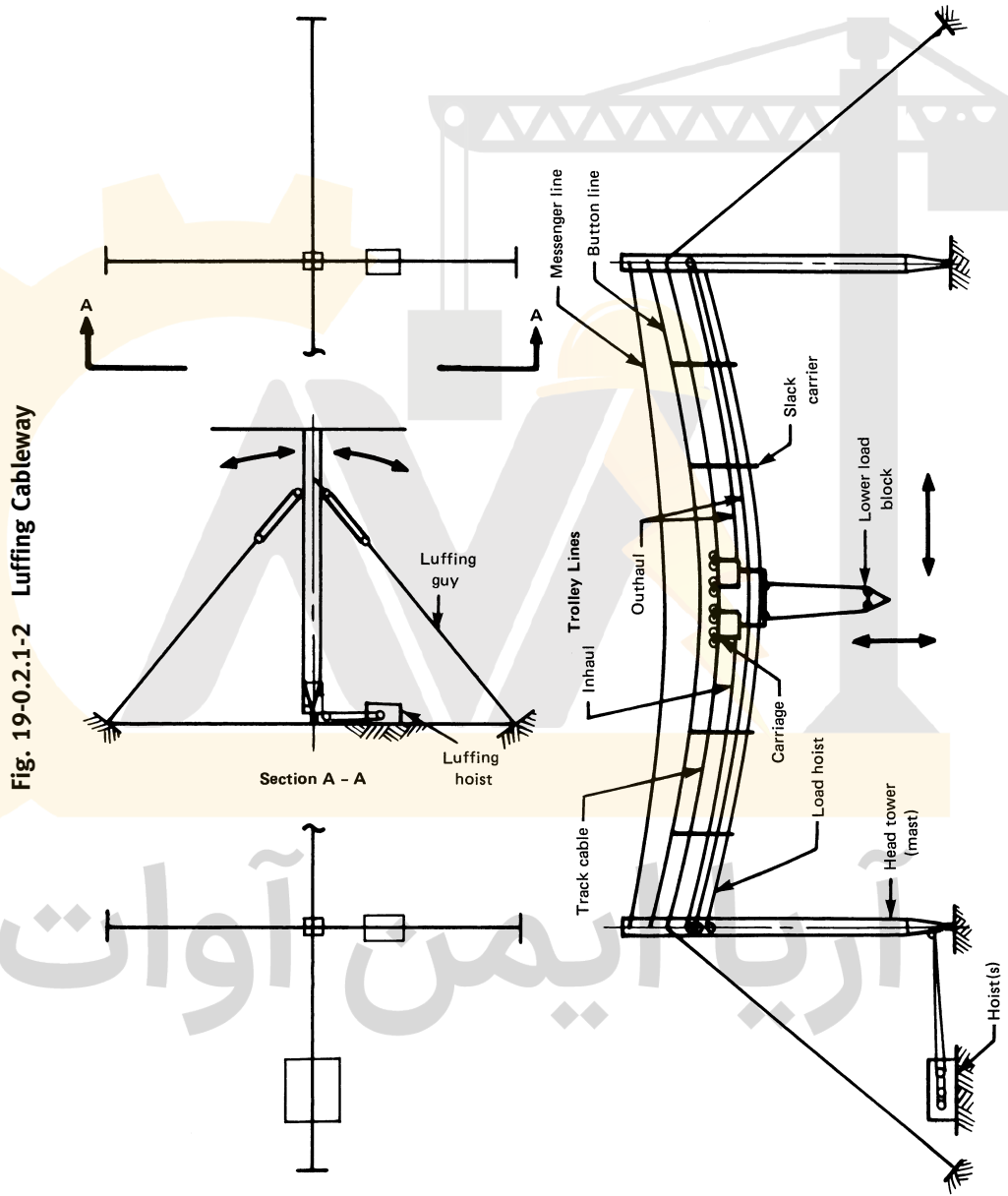
- ANSI/AWS D1.1/D1.1M:2015, Structural Welding Code — Steel  
ANSI/AWS D14.3-10, Specification for Welding Earthmoving, Construction, and Agricultural Equipment  
Publisher: American Welding Society (AWS), 8669 NW 36 Street, No. 130, Miami, FL 33166 (www.aws.org)  
ANSI/NEMA ICS 3-2005 (R2010), Industrial Systems  
Publisher: National Electrical Manufacturers Association (NEMA), 1300 North 17th Street, Rosslyn, VA 22209 (www.nema.org)  
ASME B30.7-2011, Winches  
ASME B30.10-2014, Hooks  
ASME B30.23-2011, Personnel Lifting Systems  
Publisher: The American Society of Mechanical Engineers (ASME), Two Park Avenue, New York, NY 10016-5990 (www.asme.org)  
Wire Rope Users Manual, 2008, 4th Edition  
Publisher: Wire Rope Technical Board (WRTB), 801 North Fairfax Street, Alexandria, VA 22314-1757 (www.domesticwirerope.org/wrtb/index.html)

آریا ایمن آوات



Fig. 19-0.2.1-1 Fixed Cableway





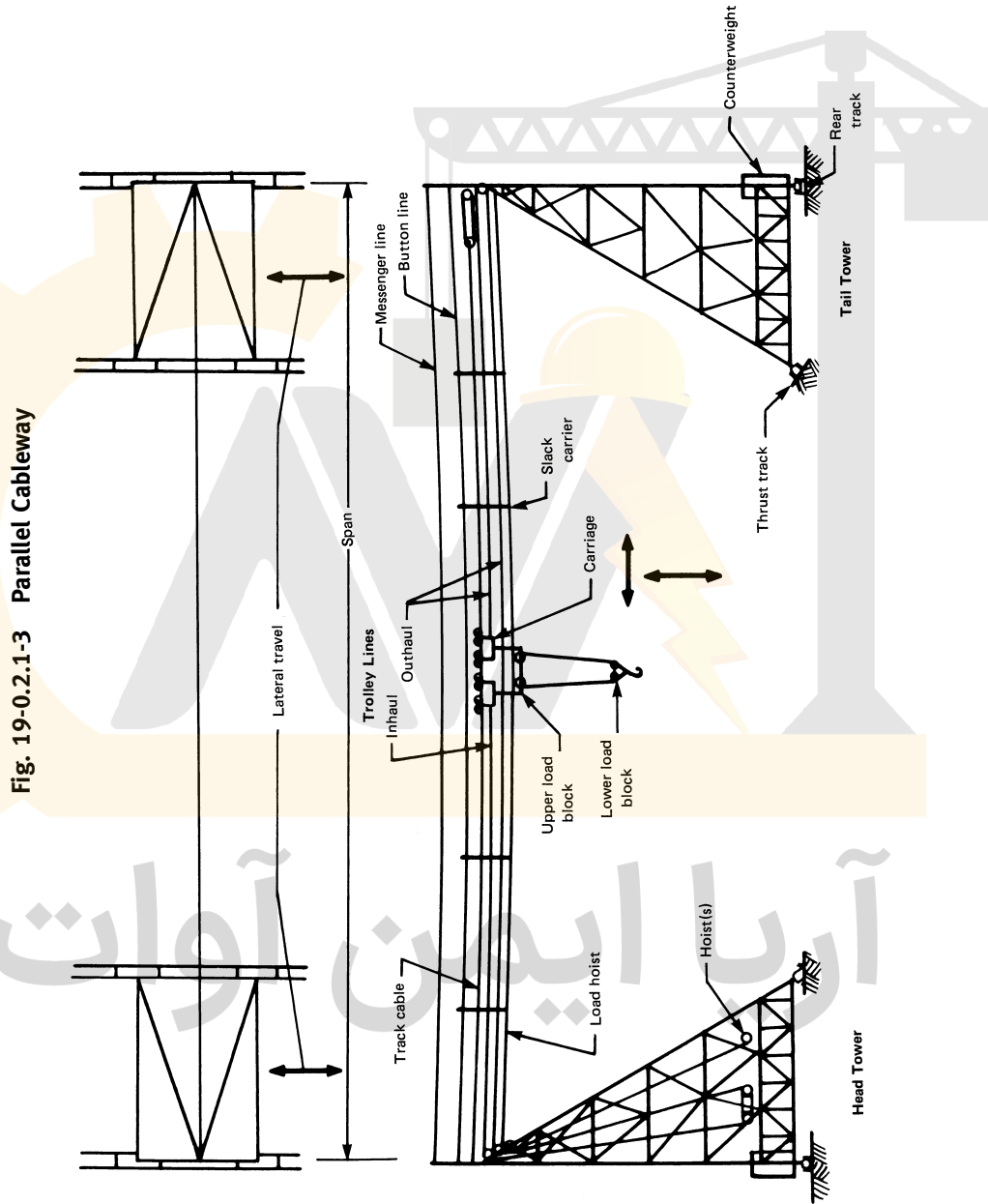
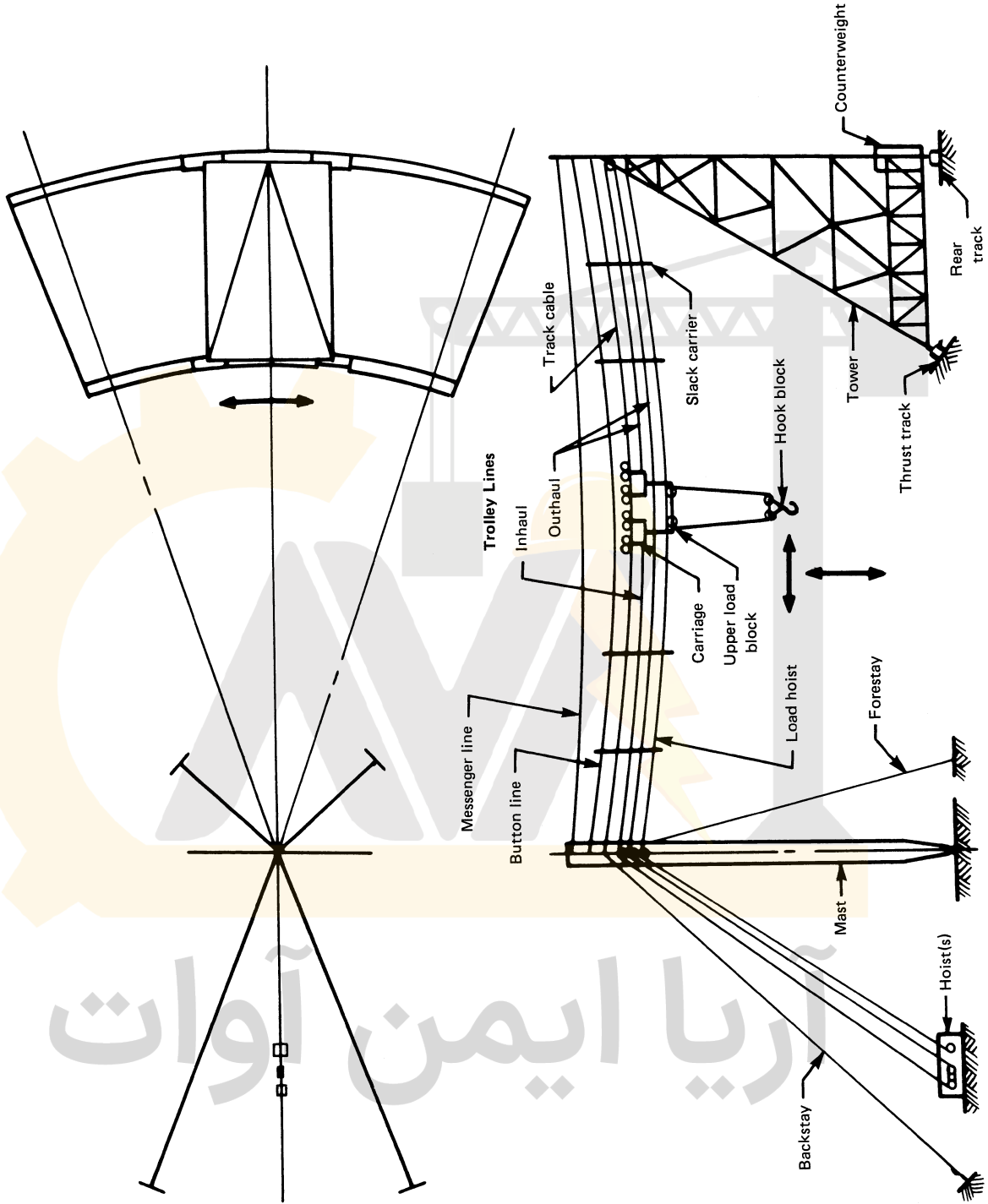
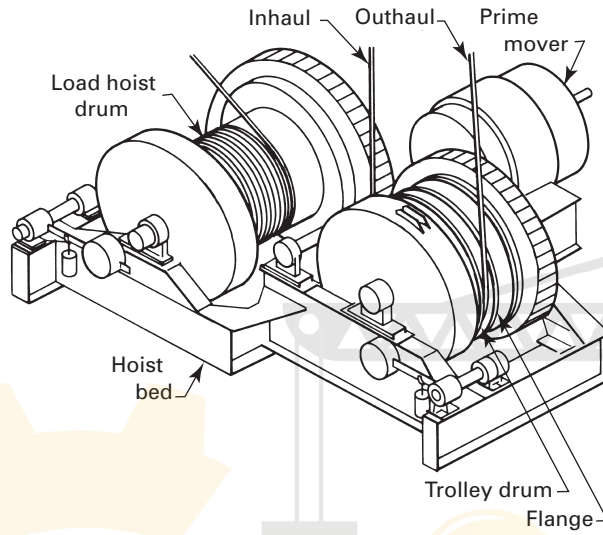


Fig. 19-0.2.1-4 Radial Cableway

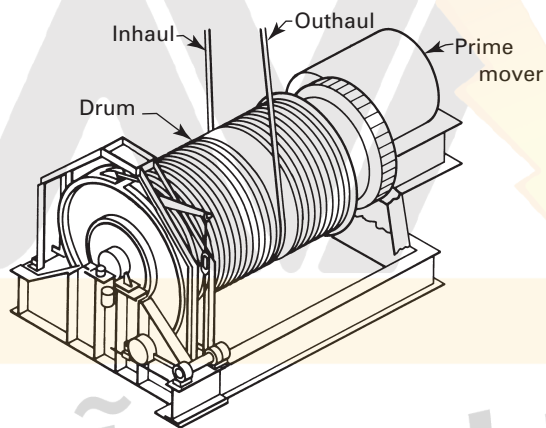


GENERAL NOTE: Hoists may be in moving tower.

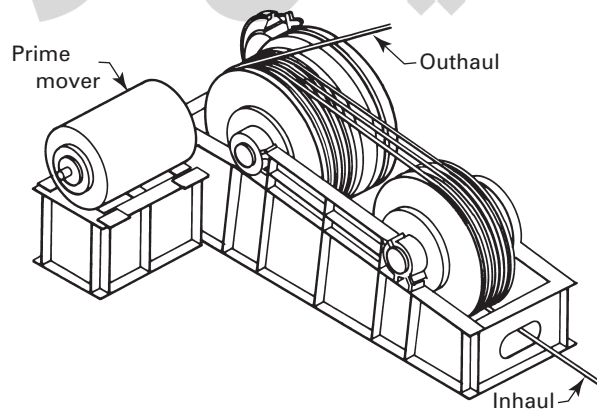
**Fig. 19-0.2.2-1 Two-Drum Cableway Hoist**



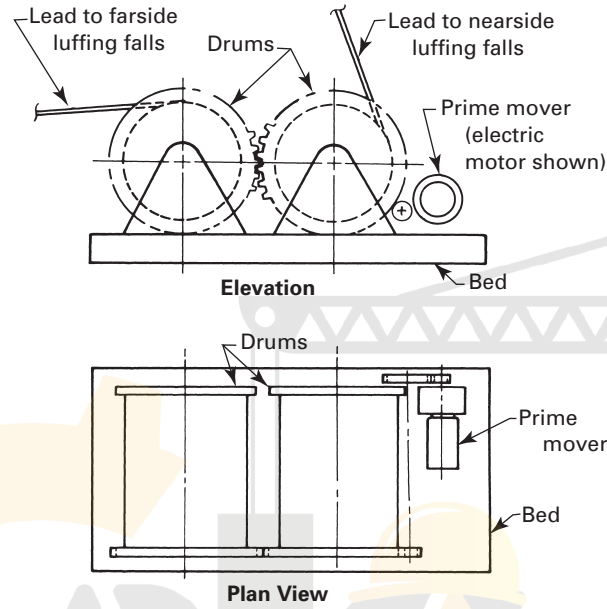
**Fig. 19-0.2.2-2 Trolley Hoist Unit**



**Fig. 19-0.2.2-3 Multisheave Endless Rope Trolley Hoist Unit**



**Fig. 19-0.2.2-4 Luffing Hoist Unit**



GENERAL NOTE: The two drums are geared to turn together, spooling off one drum while spooling on the other.



## Chapter 19-1 Construction and Characteristics

### SECTION 19-1.1: LOAD RATINGS

#### 19-1.1.1 Basis

Load ratings are dependent on such factors as anchorage, structural competence, wire rope minimum breaking force, and hoist(s) rating(s).

#### 19-1.1.2 Load Rating Chart

(a) A durable rating chart with legible letters and figures shall be provided. The chart shall be attached to each tower and also in a location accessible to the operator. The data and information provided on these charts shall include, but not be limited to, the following:

- (1) manufacturer's model and serial number of the cableway (if applicable)
- (2) the designer's approved spans for the cableway and corresponding load ratings
- (3) the maximum length of the mast on which the load ratings are based
- (4) the required parts for lower load block reeving, including the size and type of rope
- (5) the size and type of rope used for the track cables and trolley (inhaul and outhaul) cable shall be shown either on the rating chart or in the operating manual

(6) for luffing cableways, the size and type of ropes and reeving shall be shown either on the rating chart or in the operating manual

(b) The load ratings shall include all permissible locations of operation of the lower load block

- (1) throughout the longitudinal length of the span
- (2) throughout the transverse luffed positions for the span

### SECTION 19-1.2: DESIGN AND MANUFACTURE

#### 19-1.2.1 General

(a) Cableways shall be constructed to support all loads imposed on all cableway components including towers, hoists, carriages, ropes, and blocks when handling loads not exceeding the manufacturer's load ratings with recommended reeving.

(b) Welding of main load and secondary load carrying members shall conform to the recommended practices of ANSI/AWS D1.1/D1.1M.

(c) The design of cableways is unique in that each new installation of the cableway usually will vary the

load ratings and component stresses due to the geometric variations of span length and guy angles required for its use. Therefore, each installation shall be redesigned in detail by a qualified person. Load rating shall be established after an analysis of component stresses, anchorage loads, and foundation loads. For this Volume, the designer (original) will be that qualified person who originally designs the cableway for its original installation, and the designer (other than original) will be that qualified person who adapts the cableway to a different geometric pattern and establishes the load rating.

#### 19-1.2.2 Structures

(a) Towers and tower bases shall be constructed to allow movement within the limitations imposed by the designer's ratings and operations.

(b) Tower (mast) structures, fixed, luffed, or moving, and whether guyed or counterweighted, shall have a stability about the critical tipping point of the base at least 50% greater than the maximum tipping moment that could occur when the cableway is operated within any range of the manufacturer's specified load ratings.

(c) When operating ropes sag to a point where they constitute an interference or present a contact hazard to personnel, equipment, or other structures, a sufficient number of slack carriers shall be provided to eliminate the interference or hazard. Slack carriers should be used on cableway spans.

(d) Cotter or other type keepers shall be used on pins or bolts that provide a rotating or swiveling action within an assembly.

#### 19-1.2.3 Foundations

(a) Foundation design loadings shall be provided by the cableway designer.

(b) The loads shall include, but not necessarily be limited to, the maximum total dead load plus live load reactions that will be created on all foundations under any load or combination of loads that may occur as a result of the designer's ratings. These foundation loadings shall include both vertical and horizontal reactions from the towers, wire rope anchorages, and hoists.

### SECTION 19-1.3: CONSTRUCTION AND ERECTION

#### 19-1.3.1 Foundations, Anchors, and Guys

(a) Bearing foundations shall be constructed to resist 150% of the maximum design loading.





...y anchors shall be constructed to resist 150% maximum design loads. These loads shall include variation of loading due to luffing, or other loads out of the plane of the cableway. Guy ropes shall have a minimum design factor of 3.

(c) Anchorages for track cable tension shall be proportioned to resist the nominal breaking strength of the track cable(s).

(d) If it is necessary to install rope or track cable in contact with the earth or in water, the design factor should be doubled.

### 19-1.3.2 Rigging and Reeving

(a) Socketing shall be done in a manner specified by the rope or fitting manufacturer or a qualified person.

(b) No less than two full wraps of rope shall remain on any drum when the lower load block is in the extreme low position or luffing falls are at their maximum extended length.

(c) The drum end of rope shall be anchored to the drum by an arrangement specified by the cableway or rope manufacturer, the designer, or a qualified person.

(d) Eyes shall be made as recommended by the rope, cableway, or fitting manufacturer or a qualified person. Rope thimbles should be used in the eyes.

(e) Wire rope clips shall be drop-forged steel of the single saddle (U-bolt) or double saddle type clip. Malleable cast iron clips shall not be used. For spacing, number of clips, and torque values, refer to the clip manufacturer's recommendation. Wire rope clips attached with U-bolts shall have the U-bolt over the dead end of the rope and the live rope resting in the clip saddle. Clips shall be tightened evenly to the recommended torque. After the initial load is applied to the rope, the clip nuts shall be retightened to the recommended torque to compensate for any decrease in rope diameter caused by the load. Rope clip nuts should be retightened periodically to compensate for any further decrease in rope diameter during usage.

(f) Swaged, compressed, wedge-socket, or other type fittings shall be applied as recommended by the rope, cableway, or fitting manufacturer or a qualified person.

(g) If a load is supported by more than one part of rope, the tension in the parts shall be equalized.

(h) If the track cable(s) is supported by saddles, the saddle radius, rope groove, rope lubrication, and inspection provisions shall conform to the recommendations of the rope, saddle, or cableway manufacturer, the designer, or a qualified person.

(i) Any rigging or reeving utilized to attach the track cable(s) to the anchorage shall be proportioned to statically resist the nominal rope break strength of the track cable(s).

### 19-1.3.3 Ropes

(a) All ropes shall be of a size, grade, and construction to withstand the maximum rated load at the specified design factor.

(b) All nonoperating ropes such as guy ropes and messenger and button lines shall have a minimum design factor of 3.

(c) The track cable(s) shall have a minimum design factor of 3.

(d) All operating ropes such as load ropes, trolley (inhaul-outhaul) ropes, and luffing tackle ropes shall have a minimum design factor of 3.5, except for rotation-resistant rope, which shall have a minimum design factor of 5.

NOTE: The rope size and construction as defined above shall be determined on the basis of rope loads resulting from the designer/manufacturer's ratings, approved reeving, and published nominal breaking strength of new rope under static conditions. Ropes of material other than steel may be used only in accordance with the designer's recommendations.

(e) All operating ropes shall be of sufficient length to permit the entire range of movement specified for the application and leave at least two full wraps of rope on the drum at all times.

### 19-1.3.4 Sheaves

(a) Sheave grooves shall be free from surface defects that could cause rope damage. The cross-sectional radius at the bottom of the groove should be such as to form a close-fitting saddle for the size of rope used. The sides of the groove shall be tapered outward and rounded at the rim to facilitate entrance of the rope into the groove. Flange rims shall run true about the axis of rotation.

(b) Sheaves carrying ropes that can be momentarily unloaded shall be provided with close-fitting guards or other devices to guide the rope back into the groove when the load is applied again.

(c) The sheaves in the lower load block shall be equipped with close-fitting guards that will minimize ropes from becoming fouled when the block is landed and the ropes are loose.

(d) Means shall be provided to minimize chafing of the ropes.

(e) All running sheaves shall be equipped with means for lubrication. Permanently lubricated, sealed, and/or shielded bearings are acceptable.

(f) Load hoist sheaves shall have pitch diameters no less than 18 times the nominal diameter of the rope.

(g) Except for load hoist sheaves, other operating sheaves shall have pitch diameters no less than 16 times the nominal diameter of the rope.

### 19-1.3.5 Hoists

(a) The main load hoist, inhaul-outhaul hoist, and luffing hoist shall have hoist ratings, drum capacities, and brake and structural competence for the work





shall be securely anchored to prevent dis-  
turbance due to the imposed loads.

The minimum number of wraps of rope required  
on the drum of the inhaul-outhaul hoist shall be

(1) a minimum of six wraps, to assure there is no  
slippage when an endless rope-type trolley arrangement  
is used (see Figs. 19-0.2.2-1 and 19-0.2.2-3)

(2) a minimum of three wraps shall apply when  
each end of the inhaul-outhaul rope is applied to the  
drum (see Fig. 19-0.2.2-2)

(c) Hoists shall be marked with the following  
identifications:

(1) load rating

(2) drum(s) barrel diameter, length, and flange  
diameters

(3) rope size(s)

(4) rope speed

(5) rated power supply

(d) Welding shall conform to the recommended prac-  
tices of ANSI/AWS D14.3.

(e) Each drum end of the rope shall be fixed to the  
drum by clamp(s) or socket arrangement providing a  
pull-out strength equal to or greater than the working  
load based on the design factor of the rope.

(f) Drum flanges shall extend a minimum of one-half  
rope diameter, but not less than  $\frac{1}{2}$  in. (13 mm) above  
the top layer of rope during operation.

(g) Load hoist, luffing, and inhaul-outhaul drums  
shall provide a pitch diameter on the first layer of no  
less than 18 times the nominal diameter of the rope.

(h) Brakes

(1) Each drum shall be equipped with braking  
power having a torque rating not less than 150% of the  
maximum rated live load pull at each rope layer on the  
drum.

(2) When power-actuated brakes having no contin-  
uous mechanical linkage between the actuating and  
braking means are used for controlling loads, an auto-  
matic means shall be provided to prevent the load from  
falling in the event of loss of brake-actuating power.

(3) When a hoist is to be operated from a remote  
location, a self-setting brake shall be provided to stop  
and prevent drum rotation in the event of power failure.  
This requirement does not apply to hoists where brakes  
are manually applied through mechanical linkages and  
the operator is at the control position.

(4) Foot-operated brakes shall be constructed so  
that the operator's foot will not easily slip off the pedal.

(5) Inhaul-outhaul and single drum luffing hoist  
brakes shall have holding power in both directions to  
prevent movement of the drum. The brake shall be capa-  
ble of being set in the holding position and remaining  
so without attention on the part of the operator.

(6) Brakes and clutches shall be provided with  
adjustments where necessary to compensate for wear  
and to maintain tension in springs where used.

### 19-1.3.6 Guards for Moving Parts

Exposed moving parts such as sheaves, ropes, gears,  
and projecting keys that might constitute a hazard under  
operating conditions shall be guarded.

### 19-1.3.7 Load Hook and Lower Load Block Assembly

(a) The assembly shall be of sufficient weight to over-  
haul the load hook from the highest hook position  
located in any place within the span when the maximum  
number of reeved parts of load rope are in use.

(b) Skid-resistant footwalks with handrail should be  
provided for maintenance and inspection. In areas where  
walkways are not practical, ladders and handholds shall  
be provided.

(c) Contact surfaces shall be provided on the lower  
structure of the upper load block and on the upper  
structure of the lower load block. These surfaces shall  
be the first to make contact in case of two-blocking.  
Contact between these surfaces serves to minimize dam-  
age to sheaves or frames.

(d) The lower load block shall be labeled with its rated  
load (rated capacity) and weight.

(e) Open throat hooks shall be equipped with latches  
to bridge the throat opening, except when the latch  
application makes the use of the hook impractical.

### 19-1.3.8 Slack Carriers and Upper Load Block Carriage

(a) Construction shall be such that, without the inten-  
tional removal of parts, the carriages cannot inadver-  
tently become disengaged from the track ropes.

(b) Skid-resistant footwalks with handrail should be  
provided for maintenance and inspection access. In areas  
where walkways are not practical, ladders and hand-  
holds shall be provided.

(c) Contact surfaces shall be provided so when carri-  
ers and carriage contact each other, no damage is  
incurred to the support structure, operating mecha-  
nisms, sheaves, or rope.

### 19-1.3.9 Assembly (Construction) Procedure

(a) Prior to the start of assembly, a procedure for the  
construction of a cableway shall be established by a  
qualified person(s). The procedure shall consist of proce-  
dural drawings, design of special handling equipment,  
and descriptive information as necessary, and shall  
include, but not be limited to

(1) tower (mast) erection

(2) rope erection and tensioning

(3) trolley erection

(4) slack carrier erection

(b) Dismantling (removal) procedures shall be pro-  
vided, similar to those requirements for assembly [see  
(a)].



## 0 Cabs and Machinery Enclosures

All cabs and enclosures should be constructed to protect the machinery, brakes, clutches, and the operator's station from the weather.

(b) The operator's compartment shall provide visibility of load block movement, tower travel track, and head tower as far as sight range is possible. All windows shall contain safety glazing material. Where the operator must look through the window for operation of cableway, the optical deviation and visibility distortion of the glazing material shall meet the test requirements of Section 5.15 (Test 15) of ANSI Z26.1.

(c) Walkways and platforms shall be constructed using skid-resistant materials.

(d) Access steps, ladders, and handholds shall be provided to the operator's cab and machinery areas.

(e) Platforms shall be provided with handrails.

(f) Engine exhaust gases shall be piped to the outside of the cab and machinery enclosures and discharged in a direction away from the enclosed areas. All exhaust pipes shall be guarded or insulated to prevent contact with personnel in areas where personnel perform their normal operating and maintenance duties.

### (16) 19-1.3.11 Controls

#### (a) General

(1) At the operator's station, all controls used during the normal operating cycle shall be located within reach of the operator and labeled as to their designated function and direction of movement. Controls shall have means for holding in the neutral position, without the use of positive latches. Remote-operated cableways shall function so that, if the control signal for any cableway motion becomes ineffective, that cableway motion shall stop.

(2) Electric motor-operated cableways shall be provided with a device that will disconnect all motors from the line on failure of power and will not permit any motor to be restarted until the controller handle is brought to the off position, or a reset switch or button is operated. A self-setting brake shall be provided to prevent drum rotation in the event of power failure. Provision shall be made for controlled lowering of the load.

(3) If electric motor-operated cableways are capable of overspeeding the power plant on overhauling regenerative loads, they shall be provided with overspeed protection.

(b) *Power Plant Controls.* Controls for operating the power plant shall be within reach of the operator and shall include, where applicable

(1) means to start and stop, with provision to lock in the stop position

(2) means to control speed of internal combustion engines

(3) means to stop diesel engines under emergency conditions

(4) means for shifting selective transmission

(c) *Control Forces and Movements.* Under normal operation

(1) forces to operate controls shall not be greater than 35 lb (155 N) on hand levers, and not greater than 50 lb (255 N) or less than 8 lb (36 N) on foot pedals.

(2) travel distance on hand levers shall not be greater than 14 in. (355 mm) from neutral position on two-way levers, and not greater than 24 in. (610 mm) on one-way levers. Travel distance on foot pedals shall not be greater than 10 in. (250 mm).

(d) *Engine Clutch.* All cableways with a direct mechanical or hydrodynamic drive (such as torque converter or fluid coupling) to any operating function shall be provided with a clutch or other means for disengaging power. The control shall be within reach from the operator's station.

(e) *Electric Drive Control Panels.* Controller shall conform to ANSI/NEMA ICS 3, Part ICS 3-44.3.

#### (f) Resistors

(1) Resistors and connectors shall be of corrosion-resistant material, protected or enclosed with provision for adequate ventilation and installed to minimize the accumulation of combustible matter.

(2) Resistor units shall be supported to minimize vibration.

### 19-1.3.12 Monitoring Devices

On cableway installations where the tail tower, trolley, and hook block are not visible to the operator, the following monitoring devices shall be used and shall be visible to the operator at his control station:

(a) vertical location of the hook block with respect to the trolley.

(b) location of the trolley along the track cable with respect to the head and tail tower.

(c) the degree of tower (mast) luffing from vertical or lateral displacement of the hook block in feet (meters).

(d) travel trucks on the head and tail towers shall have devices to indicate the relative skew between the two towers.

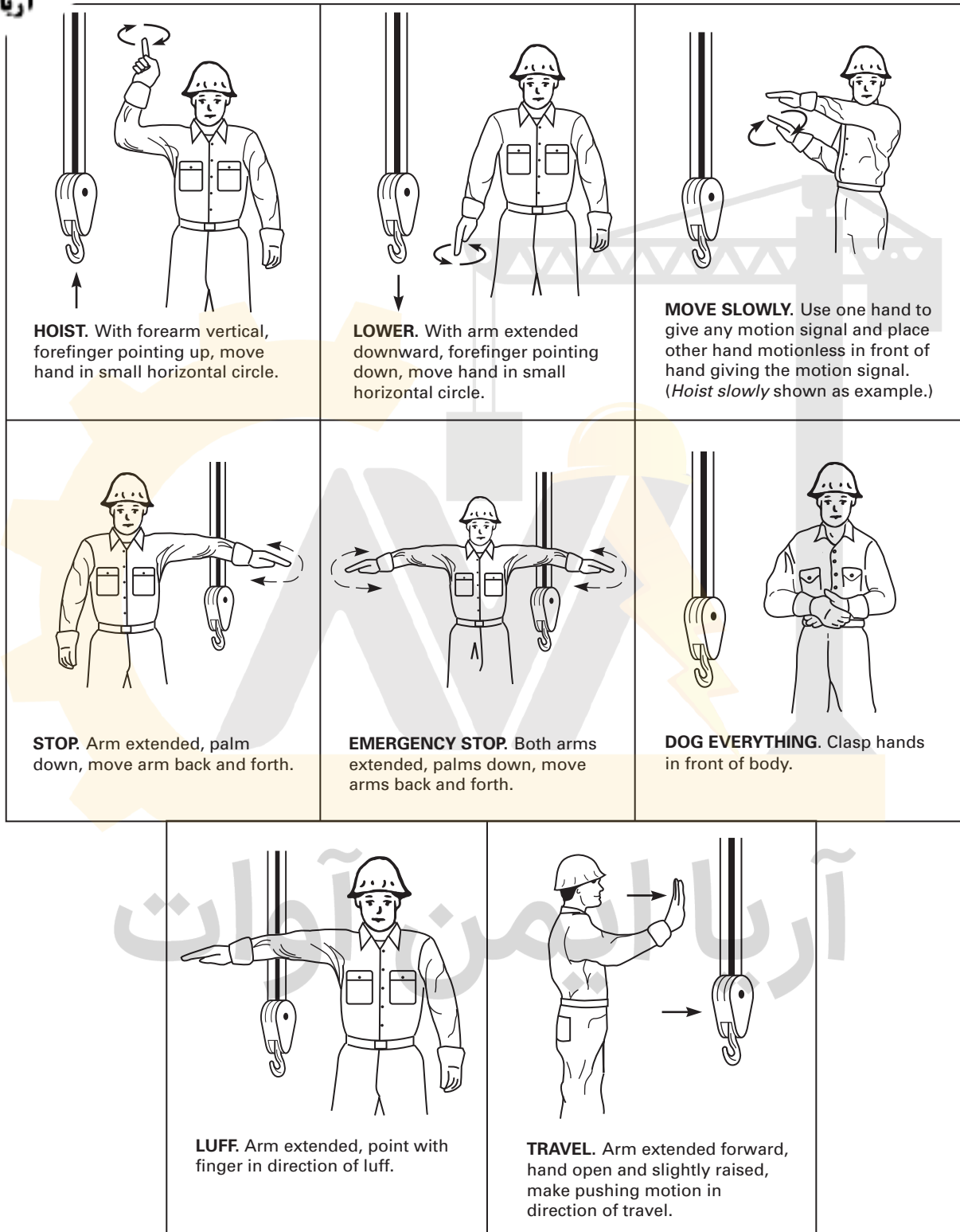
(e) a wind velocity indicating device shall be mounted at or near the top of one of the cableway towers. A velocity readout shall be provided at the operator's station in the cab, and a visible or audible alarm shall be triggered in the cab and at remote control stations when a preset wind velocity has been exceeded.

(f) see Fig. 19-1.3.12-1 for signaling.

### 19-1.3.13 Traveling Towers

(a) Audible travel signals shall be automatically and continuously activated when the tower(s) is in motion.

Fig. 19-1.3.12-1 Standard Hand Signals for Controlling Cableway Operations





Ladders or stairs shall be provided for access to towers for operation and requiring maintenance. Ladders shall conform to ANSI A14.3.

*(c) Runway Track and Trucks*

(1) Tower trucks shall be equipped with sweeps that extend to the top of the rail and project in front of the leading wheels in either direction.

(2) Exposed truck wheels shall be fitted with wheel guards.

(3) Means shall be provided to limit the drop of truck frames in case of wheel or axle breakage to an amount that will not cause the tower to overturn.

(4) When rails are spliced (bolted or welded), they shall have smooth joints.

(5) Rails should be level, straight, and properly spaced for the tower trucks in accordance with the manufacturer's recommendations. Where curves or grades are required, they shall be designed for the installation and meet the requirements of the vertical and horizontal forces applied.

(6) Rails shall be attached to the supporting surface in a manner to resist both horizontal and vertical loads.

(7) If the tower receives electrical power from an outside source, the rails shall be electrically grounded.

(8) The ends of all tracks shall be equipped with stops or bumpers (buffers) designed to minimize the possibility of derailment.

(9) Travel trucks on the head and tail towers shall have devices to indicate the relative skew between two towers.

(10) Truck motors shall be equipped with automatic spring set, electrically released brakes. Brakes shall have a torque rating equal to the full load motor torque and have provision for manual release.

(11) Provisions shall be made to prevent traveling towers from rolling on the track due to high winds.

(12) The track and support system shall be designed to limit detrimental dynamic oscillations.

(13) Should traveling crane base counterweight be required, it shall be installed in accordance with the manufacturer's or designer's instructions before erecting and rigging the cableway ropes.

**19-1.3.14 Aids to Aviation**

(a) Aviation authorities shall be consulted regarding the placement of cableway installations that reach an overall height of 200 ft (61 m) above ground level.

(b) When required, aviation lighting, signals, and notification shall be placed and maintained.

**19-1.3.15 Personal Protection (Ropes)**

(a) Moving ropes shall be barricaded in areas where persons have access.

(b) Nonmoving ropes shall be conspicuously marked warning persons of their location if located in areas where persons have access.

**19-1.3.16 Luffing Hoist**

The luffing hoist assembly shall include a lazy guy system.

آريا ايمن آوات





## Chapter 19-2

# Inspection, Testing, and Maintenance

### (16) SECTION 19-2.1: INSPECTION

All inspections shall be performed by a designated person. Any deficiencies identified shall be examined and a determination made by a qualified person as to whether they constitute a hazard, and if so, what additional steps need to be taken to address the hazard.

#### 19-2.1.1 Inspection Classification

(a) *Initial Inspection.* Prior to initial use, all new, reinstalled, altered, or modified cableways shall be inspected to verify compliance with this Volume and the manufacturer's or designer's requirements.

(b) Inspection procedure for cableways is divided into two general classifications based upon the intervals at which inspection should be performed. The intervals in turn are dependent upon the nature of the critical components of the cableway and the degree of exposure to wear, deterioration, or malfunction. The two general classifications are herein designated as *frequent* and *periodic*, with respective intervals between inspections as defined below.

(1) Frequent inspection — daily to monthly intervals

(2) Periodic inspection — 1-month to 12-month intervals, or as specifically recommended by the manufacturer or designer

#### 19-2.1.2 Frequent Inspection

Items such as the following shall be inspected at intervals as defined in para. 19-2.1.1(b)(1), or as specifically indicated by the manufacturer or designer, including observation during operations for any deficiencies that might appear between inspections. Written records are not required for frequent inspections.

(a) all control mechanisms for maladjustment interfering with proper operation — daily, when used

(b) all control mechanisms for excessive wear of components and contamination by lubricants or other foreign matter

(c) all operational aids for malfunction

(d) hooks and latches for deformation, chemical damage, cracks, and wear (refer to ASME B30.10)

(e) rope reeving in compliance with the plans and specifications

(f) electrical apparatus for malfunctioning and signs of excess deterioration, dirt, and moisture accumulation

(g) slack carriers for spacing and operating to prevent slack rope interferences

(h) towers (masts) shall be luffed to the maximum to ensure proper power, brake, and operational aid operation

(i) correct operation of aids to aviation — daily

(j) visual inspection of cable terminations and attachments for slippage or loose connection material — weekly/monthly

(k) tracks for obstruction

(l) communication systems

(m) all operating controls are labeled with their function and direction of motion

#### 19-2.1.3 Periodic Inspection

Complete inspection of the cableway shall be performed at intervals as defined in para. 19-2.1.1(b)(2). A written record of the most recent periodic inspection shall be maintained and shall include condition of the cableway and its components. These inspections shall include the requirements of para. 19-2.1.2, in addition to the following:

(a) cableway structural members, including rails, for deformation, cracks, or corroded members

(b) structural fasteners for tightness

(c) sheaves and drums for cracked or worn surfaces

(d) pins, bearings, shafts, gears, rollers, and locking devices for wear, cracks, and distortion

(e) brake and clutch system parts, linings, pawls, and ratchets for excessive wear

(f) monitoring and limiting devices over their full range for any significant inaccuracies

(g) power plants for improper performance or non-compliance with applicable safety standards

(h) anchoring devices and structures for damage, unwarranted movement, or corrosion

#### 19-2.1.4 Cableways Not in Regular Use

A cableway that has been idle for a period of less than 6 months shall be given an inspection conforming to the requirements of paras. 19-2.1.2, 19-2.4.2(a), and 19-2.4.3 before being returned to service. A cableway that has been idle for 6 months or more shall be given an inspection conforming to the requirements of paras. 19-2.1.3, 19-2.4.2(b), and 19-2.4.3 before being returned to service.

**19-2.2: TESTING****19-2.2.1 Operational Tests**

(a) Prior to initial use, all newly erected cableways shall be tested by, or under the direction of, a qualified person to ensure compliance with this Standard, including the following functions:

(1) At a minimum, the load test shall consist of load hoisting and lowering — full range.

(2) Track cable sag — to verify that it is in accordance with the manufacturer's or designer's specifications.

(3) Inhaul-outhaul travel — full range.

(4) Tower (mast) luffing for full range; the lazy guys shall support the mast when the tower is fully luffed.

(5) Operational aids.

(6) Tower travel — full range.

(b) A record of the operational tests shall be kept on file.

**19-2.2.2 Load Test**

(a) Prior to initial use

(1) all new, reinstalled, altered, or modified cableways shall be tested by, or under the direction of, a qualified person. The load test shall consist of the following operations as a minimum requirement:

(-a) Hoist the carriage and test load a distance to ensure that the load is supported by the cableway and held by the hoist brake(s).

(-b) Transport the test load by means of the inhaul-outhaul cable system for the full span ranges.

(-c) Transport the test load by means of the luffing hoist for the full range of luffing with the trolley as close to the span center as practical.

(-d) Transport the test load by means of the tower travel drive the full length of the track in both directions with the trolley as close to the span center as practical.

(-e) Lower the carriage and test load, and stop and hold the load with the brake(s).

(2) the test load shall not be less than the rated load or more than 110% of the rated load unless otherwise approved by the cableway manufacturer, designer, or a qualified person.

(3) the need for load testing of repaired cableways shall be determined by a qualified person and may be limited to the function(s) affected by the repair.

(b) A record of the load test shall be kept on file.

**SECTION 19-2.3: MAINTENANCE****(16) 19-2.3.1 Preventive Maintenance**

(a) A preventive maintenance program shall be established and should be based on the recommendations of the cableway manufacturer or designer, or a qualified person.

(b) Replacement parts shall be at least equal to the original manufacturer's specifications.

**19-2.3.2 Maintenance Procedures****(16)**

Before major adjustments or repairs are started on a cableway, the following precautions shall be taken, as applicable:

(a) The cableway to be repaired shall be, if possible, luffed or traveled, or the trolley moved to cause the least interference to other continuing operations.

(b) If a load is attached to the cableway, it shall be landed.

(c) All controllers shall be placed in the off position.

(d) A lockout/tagout procedure shall be performed (see para. 19-3.4.7).

(e) Warning signs and barriers shall be utilized in the area beneath the cableway where overhead maintenance work creates a hazard.

(f) Consideration shall be given to installing special devices such as clamping cables, rail stops, etc., to prevent movement of the cableway operating features.

(g) After adjustments or repairs have been made, the cableway shall not be returned to service until all guards have been reinstalled, special devices removed, operational aid devices reactivated, and maintenance equipment removed. Warning or out-of-order signs shall be removed by a designated person.

**19-2.3.3 Adjustments and Repairs**

(a) Hazardous conditions disclosed by the inspection requirements of Section 19-2.1 shall be corrected before operation of the cableway is resumed, except where a qualified person determines that the cableway may be operated. Adjustments and repairs shall be performed by, or under the direction of, designated personnel.

(b) Adjustments shall be maintained to assure correct functioning of components such as the following:

(1) all functional operating mechanisms

(2) limit switches

(3) control systems

(4) brakes and clutches

(5) power plants

(c) Worn or damaged components shall be replaced or repaired promptly, as needed for operation. The following are examples:

(1) Hooks showing conditions described in para. 19-2.1.2(d) shall be taken out of service.

(2) All critical parts that are cracked, broken, bent, or excessively worn.

(3) Pitted or burned electrical contacts should be replaced in sets.

(4) Controller parts should be lubricated as recommended by the manufacturer or a qualified person.

(5) Control stations shall be kept clean, and function labels kept legible.

**Lubrication**

...moving parts for which lubrication is specified ... be regularly lubricated. Lubricating systems should be checked for proper delivery of lubricant. Particular care should be taken to follow the recommendation of the manufacturer, designer, or a qualified person with regard to the maintenance of fluid levels and types of lubricant to be used.

(b) Machinery shall be stationary while lubricants are being applied and protection shall be provided as called for in para. 19-2.3.2, as applicable, unless equipped for automatic or remote lubrication.

**(16) SECTION 19-2.4: ROPE INSPECTION, REPLACEMENT, AND MAINTENANCE**

All inspections shall be performed by a designated person. Any deficiencies identified shall be examined and a determination made by a qualified person as to whether they constitute a hazard and, if so, what additional steps need to be taken to address the hazard.

**19-2.4.1 General**

Sheave diameters, drum diameters, and rope design factors are limited because of cableway design configuration. Due to these parameters, inspection in accordance with para. 19-2.4.2 to detect deterioration, and timely replacement in accordance with para. 19-2.4.3 are essential.

**(16) 19-2.4.2 Inspection****(a) Frequent Inspection**

(1) All running ropes in service should be visually inspected once each working day. A visual inspection shall consist of observation of all rope that can reasonably be expected to be in use during the day's operations. These visual observations should be concerned with discovering damage that may be an immediate hazard, such as the following:

(-a) distortion of the rope such as kinking, crushing, unstranding, birdcaging, main strand displacement, or core protrusion. Loss of rope diameter in a short rope length or unevenness of outer strands should provide evidence that the rope or ropes are to be replaced.

(-b) general corrosion.

(-c) broken or cut strands.

(-d) number, distribution, and type of visible broken wires [see paras. 19-2.4.3(b)(1) through (b)(3) and (b)(7) for further guidance].

(-e) core failure in rotation-resistant ropes; when damage is suspected, the rope shall either be removed from service or given an inspection as detailed in (b).

(2) Care shall be taken when inspecting sections of rapid deterioration, such as flange points, crossover points, and repetitive pickup points on drums.

(3) Care shall be taken when inspecting certain ropes, such as rotation-resistant ropes, because of their higher susceptibility to damage and increased deterioration when working on equipment with limited design parameters. The internal deterioration of rotation-resistant ropes may not be readily observable.

**(b) Periodic Inspection**

(1) The inspection frequency shall be determined by a qualified person and shall be based on such factors as expected rope life (determined by experience on the particular installation or similar installations), severity of environment, percentage of capacity lifts, frequency rates of operation, and exposure to shock loads. Inspections need not be at equal calendar intervals and should be more frequent as the rope approaches the end of its useful life. The inspection shall be made at least every 1,000 hr of cableway operation, annually, or prior to start-up when cableway has been idle for 6 months or more, whichever comes first.

(2) This inspection shall cover the entire length of rope. Only the surface wires of the rope need be inspected. No attempt should be made to open the rope. Any deterioration resulting in appreciable loss of original strength shall be noted, and a determination shall be made by a qualified person as to whether further use of the rope would constitute a hazard. Deterioration resulting in appreciable loss of original strength includes

(-a) points listed in (a)

(-b) reduction of rope diameter due to loss of core support, corrosion, or wear of outside wires

(-c) severely corroded or broken wires at end connections

(-d) severely corroded, cracked, bent, worn, or improperly applied end connections

(3) Care shall be taken when inspecting sections of rapid deterioration, such as the following:

(-a) sections in contact with saddles, equalizer sheaves, or other sheaves, including track cable sheaves, where rope travel is limited

(-b) sections of the rope at or near terminal ends where corroded or broken wires may develop

**19-2.4.3 Rope Replacement****(16)**

(a) No precise rules can be given for determination of the exact time for rope replacement, since many variable factors are involved. Once a rope reaches any one of the specified removal criteria, it may be allowed to operate to the end of the work shift, based on the judgment of a qualified person. The rope shall be replaced after that work shift, at the end of the day, or at the latest time prior to the equipment being used by the next work shift.

(b) Removal criteria for rope replacement shall be as follows:

(1) in running ropes, six randomly distributed broken wires in six rope diameters, or three randomly distributed broken wires in one strand in any six rope diameters.





in rotation-resistant wire ropes, two randomly located broken wires in 6 rope diameters, or four randomly distributed broken wires in 30 rope diameters.

(3) one outer wire, broken at the contact point with the core of the rope, that has worked its way out of the rope structure and protrudes and loops out from the rope structure. Additional inspection of this section is required.

(4) kinking, crushing, birdcaging, or any other damage resulting in distortion of the rope structure.

(5) evidence of heat damage from any cause.

(6) reductions from nominal diameter of more than 5%.

(7) in standing ropes, more than two broken wires in one lay in sections beyond end connections, or more than one broken wire at an end connection.

(8) reduction of rope diameter due to loss of core support or internal or external corrosion.

(9) wire rope core (IWRC) or strand core protrusion between the outer strands.

(10) deviations from the removal criteria as listed in (b)(1) through (b)(9) are allowed only with the written approval of the manufacturer of the specific wire rope to which the deviation is applicable.

(c) Broken wire removal criteria cited in this Volume applies to wire rope operating on multilayered drums regardless of sheave material.

(d) Replacement rope shall have a minimum breaking force at least equal to the original rope furnished or recommended by the cableway manufacturer or designer, or a qualified person. Any deviation from the original size, grade, or construction shall be specified by the rope manufacturer, the cableway manufacturer or designer, or a qualified person.

(e) *Ropes Not in Regular Use.* All rope that has been idle for a period of less than 6 months shall be given an inspection conforming to the requirements of paras. 19-2.1.2 and 19-2.4.2(a) before being returned to service. All rope that has been idle for 6 months or more shall be given an inspection conforming to the requirements of paras. 19-2.1.3 and 19-2.4.2(b) before being returned to service.

(f) *Inspection Records*

(1) Frequent inspection — no records required.

(2) Periodic inspection — in order to establish data as a basis for judging the proper time for replacement, a dated report of rope condition at each periodic inspection shall be kept on file. This report shall cover points of deterioration listed in para. 19-2.4.2(b)(2).

(g) A long-range inspection program should be established and should include records on examination of rope removed from service so a relationship can be established between visual observation and actual condition of the internal structure.

#### 19-2.4.4 Rope Maintenance

(a) Rope should be stored in a manner that prevents damage or deterioration.

(b) Rope shall be unreeled or uncoiled as recommended by the rope manufacturer, with care taken to avoid kinking or inducing a twist.

(c) Before cutting a rope, seizings shall be placed on each side of the place where the rope is to be cut to prevent unlaying of the strands. On preformed rope, one seizing on each side of the cut is required. On non-preformed ropes of  $\frac{7}{8}$  in. (22 mm) diameter or smaller, two seizings on each side of the cut are required. For nonpreformed rope of 1 in. (26 mm) diameter or larger, three seizings on each side of the cut are required.

(d) During installation, care should be exercised to avoid dragging the rope in dirt or around objects that will scrape, nick, crush, or induce sharp bends.

(e) Rope should be maintained in a well lubricated condition. It is important that lubricant applied as part of a maintenance program shall be compatible with the original lubricant, and to this end the rope manufacturer should be consulted. Lubricant applied shall be the type that does not hinder visual inspection. Those sections of rope that are located over sheaves or otherwise hidden during inspection and maintenance procedures require special attention during lubrication. The object of rope lubrication is to reduce internal friction and to prevent corrosion.

(f) When an operating rope shows greater wear at well defined localized areas than on the remainder of rope, rope life can be extended in cases where a reduced rope length is adequate by cutting off a section at the worn end, thus shifting the wear to different areas of the rope.





## Chapter 19-3 Operation

### SECTION 19-3.1: OPERATOR QUALIFICATIONS AND OPERATING PRACTICE

#### (16) 19-3.1.1 Operators

(a) Cableways shall be operated only by the following personnel:

(1) Designated persons.

(2) Trainees under the supervision of a designated person, the number of trainees permitted to be supervised by a single designated person, the physical location of the designated person while supervising, and the type of communication required between the designated person and the trainee shall be determined by a qualified person.

(3) Maintenance and test personnel, when it is necessary in the performance of their duties.

(4) Inspectors (cableways).

(b) No one other than personnel specified in (a) shall enter a control cab, with the exception of persons such as oilers and supervisors whose duties require them to do so, and then only in the performance of their duties and with the knowledge of the operator or other designated person.

#### 19-3.1.2 Qualifications for Operators

(a) Operators shall be required to pass a practical operating examination. Examination shall be limited to the specific type of equipment to be operated.

(b) Operators shall meet the following physical qualifications:

(1) vision of at least 20/30 Snellen in one eye and 20/50 Snellen in the other, with or without glasses.

(2) ability to distinguish red, green, and yellow, regardless of position of colors, if color differentiation is required for operation.

(3) adequate hearing, with or without hearing aid, for the specific operation.

(4) evidence that an operator is subject to seizures or loss of physical control shall be sufficient reason for disqualification. Specialized medical tests may be required to determine these conditions.

#### 19-3.1.3 Operating Practices

(a) The operator shall not engage in any practice that will divert attention while actually engaged in operating the cableway.

(b) When physically or mentally unfit, an operator shall not engage in the operation of the equipment.

(c) The operator shall respond to signals only from the appointed signalperson, but shall obey a stop signal at any time, no matter who gives it.

(d) The operator shall be responsible for those operations under his direct control. Whenever there is any doubt as to safety, the operator shall consult with the supervisor before handling the loads.

(e) Before leaving the controls unattended, the operator shall

(1) land any suspended load, bucket, lifting magnet, or other device

(2) set tower travel and all cable drum brakes and other locking devices

(3) put controls in the off or neutral position

(4) stop the engine or turn off electric power

(5) secure cableway against accidental operation

(6) take measures to secure movable towers when the wind alarm is given or when leaving overnight

(f) When an out-of-order sign is on the starting controls, the operator shall not power the unit or start operations until the sign has been removed by the person responsible for the initial placing of the out-of-order sign or that person's designated representative.

(g) Before starting a power unit, the operator shall assure that all personnel are in the clear.

(h) If power fails during operation, the operator shall

(1) if practical, land the suspended load using controls or emergency means

(2) set all brakes and locking devices

(3) move all clutch or other power controls to the off position

(i) The operator shall be familiar with the equipment and its proper care. If adjustments or repairs are necessary or any damage is known, it shall be reported to the appointed person, and the next operator shall be notified of the damage upon changing shifts.

(j) All controls shall be tested by the operator at the start of a new shift. If any controls do not operate properly, they shall be adjusted or repaired before operations are begun.

(k) No cableway operation shall be performed unless a designated signalperson directs the operation or the operator is within full vision of the operation to be performed.



## 19-3.2: OPERATING PRACTICES

### 19-3.2.1 Handling the Load

#### 19-3.2.1.1 Size of Load

(a) No cableway shall be loaded beyond the rated load, except for authorized tests.

(b) The individual directing the lift shall ascertain that the weight of the load does not exceed the maximum rated load.

#### 19-3.2.1.2 Attaching the Load

(a) The hoist rope shall not be in contact with the load.

(b) The load shall be attached to the hook or shackle by means of slings or other approved devices.

#### 19-3.2.1.3 Moving the Load

(a) The individual directing the lift shall see that

(1) cableway trolley is within its operating limits, and the towers are aligned and within the luffing limits for the weight of load

(2) the load is well secured and properly balanced in the sling or lifting device before it is hoisted more than a few inches

(3) hoist rope is not kinked

(4) multiple part lines are not twisted around each other

(5) the hook is brought over the load in such a manner as to minimize swinging

(6) the rope is properly seated on the drum and in the sheaves if there had been a slack rope condition

(b) During the hoisting, the operator shall take care that

(1) there is no sudden acceleration or deceleration of the moving load

(2) the load does not contact any obstructions

(3) before moving towers, signals are given to all personnel to clear areas affected

(c) Load drifting operations shall be planned by a qualified person, whose responsibility will be to

(1) determine that resultant loading of the cableway will be within the load rating

**CAUTION:** Do not drift loads when the swing of the drifted load could exceed the luffed load rating.

(2) ensure that the load is under control at all times to avoid excessive drifting and swinging action

(d) The cableway should not be operated while anyone is on the load or hook, except under circumstances noted in para. 19-3.2.2.

(e) When loads or load hooks must approach the location of personnel, a signalperson shall be provided to warn of the approaching load.

(f) The operator shall test the brakes each time a load approaching the rated load is handled by raising it a few inches and applying the brakes.

(g) The load shall not be lowered below the point where less than two full wraps of rope remain on drums.

(h) When two or more cableways are used to lift one load, one designated person shall be responsible for the operation. This person shall analyze the operation and instruct all personnel involved in the proper positioning, rigging of the load, and the movements to be made.

#### 19-3.2.1.4 Holding the Load

(a) The operator shall not leave the controls while the load is suspended.

(b) No person should be permitted to stand or pass under a load on the hook.

(c) If the load hoist mechanism is not equipped with an automatic brake and the load must remain suspended for any considerable length of time, the operator shall hold the drum from rotating in the lowering direction by activating the positive braking means.

### 19-3.2.2 Personnel Lifting

This Standard recognizes that cableways are designed and intended for handling materials. They do not meet personnel lifting or elevator requirements. Therefore, no cableway function shall be performed while a person is on the lower load block, hook, load, manlift platform, or other personnel lifting device attached to the cableway, unless each of the specific, special requirements below is met:

(a) The following special procedures shall be followed when personnel are to be lifted:

(1) The person on the job site specifically responsible for the overall work function to be performed shall determine that there is no practical alternate way to perform the needed work or gain access to the area, and he shall authorize its usage by issuing a statement describing the operation and its time frame. The statement, after being approved by the authorizer, shall be retained at the job site.

(2) For each instance of personnel lifting, the person responsible for the task shall determine that each of the following requirements in (a)(3) through (a)(16) have been met.

(3) The cableway shall be inspected in accordance with the requirements of paras. 19-2.1.2 and 19-2.4.2(a).

(4) The lift shall be made under controlled conditions and under the direction of an appointed signalperson.

(5) The operator shall be informed that personnel are to be hoisted.

(6) A planned procedure of operations shall be established.

(7) The operator and signalperson shall conduct a test lift with an empty manlift platform.

(8) Communication between the cableway operator, signalperson, and persons being lifted shall be maintained.

(9) Warning or limiting devices shall be installed to prevent two-blocking, unless audible communication has been provided and one of the persons being lifted



Specifically assigned the task of warning of the cableway in a two-block condition.

The cableway shall be operated so that downward motion will be controlled load lowering (no freefall).

(11) When welding is done by an employee on the platform, the electrode holders shall be protected from contact with metal components of the platform.

(12) Employees being lifted shall wear fall protection devices with lanyards attached, preferably above the hook or shackle.

(13) The operator shall remain at the controls while persons are suspended.

(14) When lifting or lowering platforms, the operator shall control the speed and it shall not exceed 100 ft/min (0.51 m/s).

(15) The employees being lifted, moved, or positioned shall remain in continuous sight or in communication with the operator or signalperson.

(16) The total weight of the lifted load (including personnel) shall not exceed 50% of the cableway load rating.

(b) The platform shall be designed and constructed in accordance with the requirements of ASME B30.23.

(c) Lower load block mounted platforms should be used for performing inspection and maintenance of the lower/upper load blocks, carriage, rope, and slack carriers when access is not available via the towers. This platform should be part of the lower load block as described in para. 19-1.3.7(b).

## SECTION 19-3.3: SIGNALS

### 19-3.3.1 Standard Signals

Standard signals to the operator shall be in accordance with the standards prescribed in para. 19-3.3.2, unless voice communication equipment (telephone, radio, or equivalent) is utilized. Signals shall be discernible or audible at all times. No response shall be made unless signals are clearly understood.

### 19-3.3.2 Hand Signals

Hand signals shall be in accordance with Fig. 19-1.3.12-1 and shall be posted conspicuously.

### 19-3.3.3 Special Signals

For operations not covered by para. 19-3.3.2 or for special conditions that occur from time to time, additions to or modifications of the standard signals may be required. In such cases these special signals shall be agreed upon in advance by the operator and the signalperson and should not be in conflict with the standard signals.

### 19-3.3.4 Instructions

If it is desired to give instructions to the operator other than those provided by the established signal system, the cableway motions shall be stopped.

## SECTION 19-3.4: MISCELLANEOUS

### 19-3.4.1 Ballast or Counterweight

Cableways shall not be operated without the full ballast or counterweight in place as specified by the manufacturer or designer.

### 19-3.4.2 Aerial Marking

When required, towers and suspension cables shall be marked and lighted in accordance with applicable Federal Aviation Administration requirements (see para. 19-1.3.14).

### 19-3.4.3 Hoist, Ropes, and Rope Anchors

A cableway shall not be operated until hoists and ropes have been installed, attached, and anchored as specified by the manufacturer.

### 19-3.4.4 Operating Near Electric Power Lines

(a) Cableways shall be operated so that no part of the cableway or load enters into the danger zone shown in Fig. 19-3.4.4-1.

#### EXCEPTIONS:

- (1) The danger zone may be entered if the electrical distribution and transmission lines have been de-energized and visibly grounded at the point of work.
- (2) The danger zone may be entered if insulating barriers (not a part of nor an attachment to the cableway) have been erected to prevent physical contact with the lines.

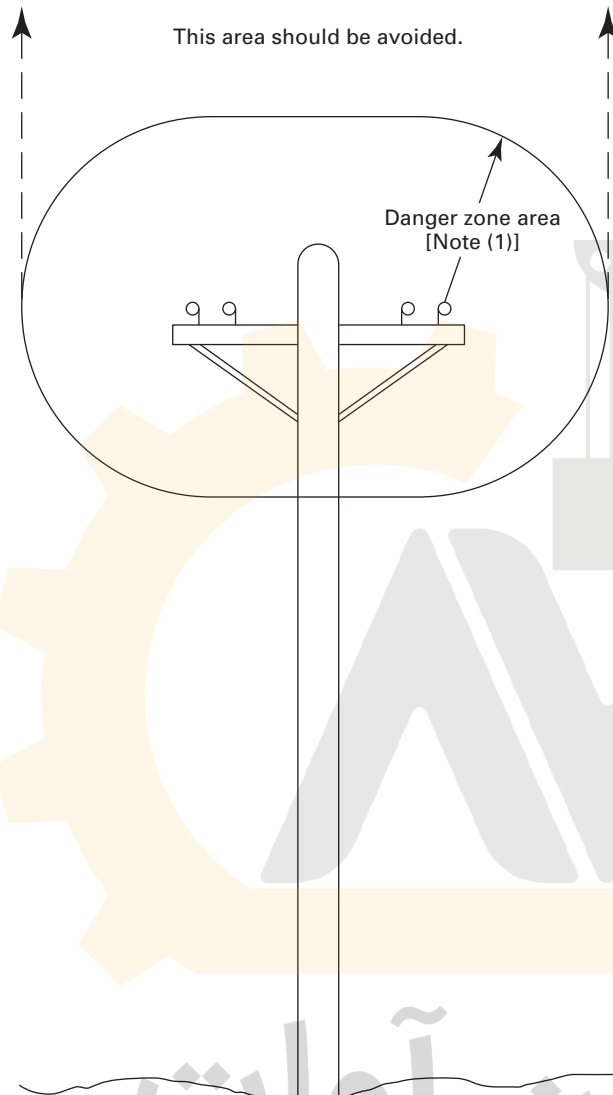
(1) For lines rated 50 kV or below, minimum clearance between the lines and any part of the cableway or load (including handling appendages) shall be 10 ft (3 m). For higher voltages, see Table 19-3.4.4-1.

(2) Caution shall be exercised when working near overhead lines, as they can move horizontally or vertically due to wind, moving the danger zone to new positions.

(3) A qualified signalperson shall be assigned to observe the clearance when the cableway moves within the proximity of the limits specified in Table 19-3.4.4-1. The operator may not be in the best position to judge distance between the power line and the cableway or its protuberances.

(b) If insulating links or proximity warning devices are used on cableways, such devices shall not be a substitute for the requirements of (a), even if such devices are required by law or regulation. In view of the complex, invisible, and lethal nature of the electrical hazard involved, and to lessen the potential of false security, limitations of such devices, if used, shall be understood by operating personnel and tested in the manner and

19-3.4.4-1 Danger Zone for Cableways and Loads Operating Near Electrical Transmission Lines



NOTE:

(1) For minimum radial distance of danger zone, see para. 19-3.4.4.

at intervals prescribed by the manufacturer of the device or a qualified person. Compliance with (a) is the recommended practice of this Volume in determining permissible proximity of the cableway and its protuberances, including load, to electrical power lines.

(c) Before the commencement of operations near electrical lines, the person responsible for the job shall notify the owners of the lines or their authorized representatives, provide them with all pertinent information, and request their cooperation.

Table 19-3.4.4-1 Required Clearance for Normal Voltage in Operation Near High Voltage Power Lines

Normal Voltage, kV (Phase to Phase)	Minimum Required Clearance, ft (m)
To 50	10 (3.05)
Over 50 to 200	15 (4.60)
Over 200 to 350	20 (6.10)
Over 350 to 500	25 (7.62)
Over 500 to 750	35 (10.67)
Over 750 to 1,000	45 (13.72)

(d) Any overhead wire shall be considered an energized line unless and until the person owning such line or the electrical utility authorities verify that it is not an energized line.

(e) Exceptions to this procedure, if approved by the owner of the electrical lines, may be granted by the administrative or regulatory authority if the alternate procedure provides protection and is set forth in writing.

(f) Durable signs shall be installed at the operator's station warning that electrocution or serious bodily injury may occur unless a minimum clearance of 10 ft (3 m) is maintained between the cableway or the load being handled and energized power lines. Greater clearances are required because of higher voltage as stated in (a)(1). These signs shall be revised when local jurisdiction requires greater clearances.

19-3.4.5 Cabs

(a) Necessary clothing and personal belongings shall be stored in a manner not to interfere with access or operation.

(b) Tools, oil cans, waste, extra fuses, and other necessary articles shall be stored in the tool box and shall not be permitted to lie loose in or about the cab.

19-3.4.6 Refueling

(a) When refueling with a small portable container, it shall be an Underwriters Laboratories or Factory Mutual Laboratories approved (or equivalent) safety-type can equipped with automatic closing cap and flame arrester.

(b) Machines shall not be refueled with the engine running.

(c) Smoking or open flames shall be prohibited in the refueling area. Refueling areas shall be posted as such.

19-3.4.7 Fire Extinguishers

(a) A portable fire extinguisher with a basic minimum rating of 10 BC shall be installed in the hoist cab or at the machinery housing and maintained in a serviceable condition.

(b) Operating and maintenance personnel shall be familiar with the use and care of the fire extinguishers provided.



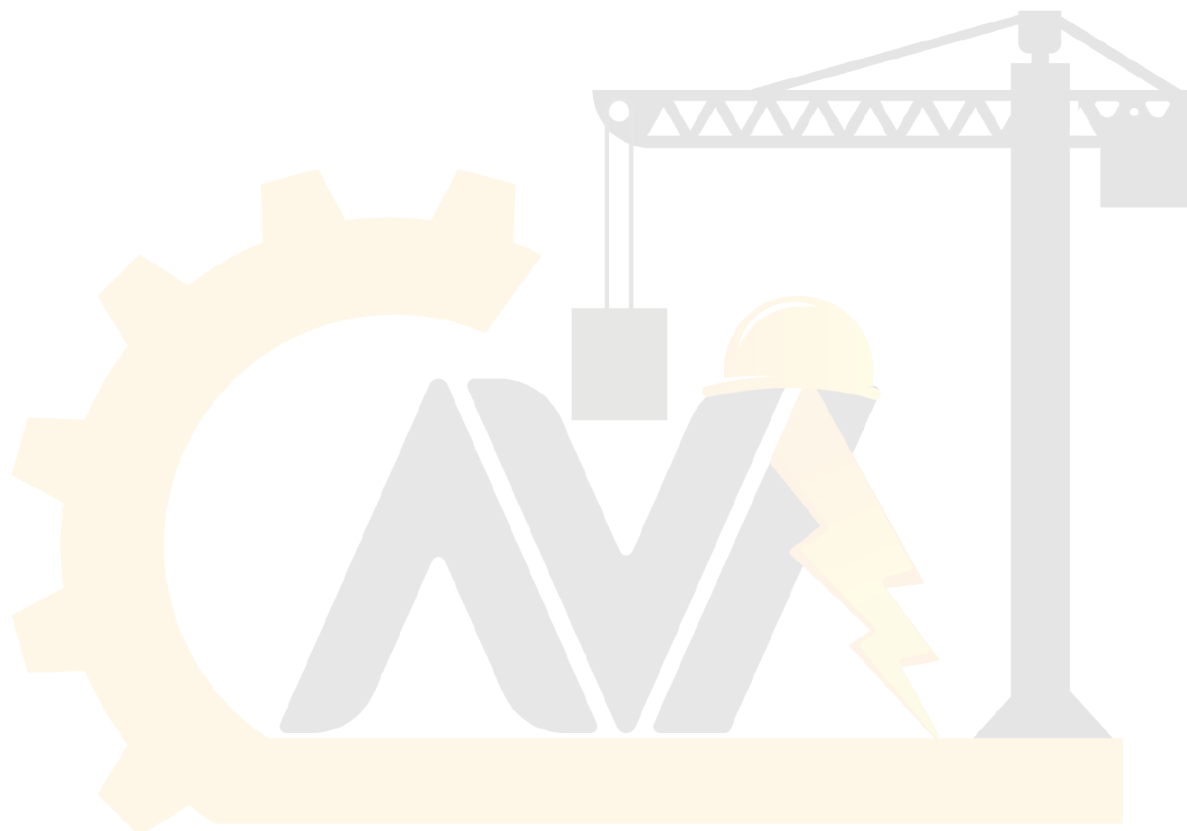
### Cableway Lockout/Tagout

(a) A lockout/tagout procedure shall be developed, documented, and implemented by the owner or user of cableways.

(b) The lockout/tagout policy and procedure shall comply with the requirements of ANSI Z244.1.

(c) The policy shall include, but not be limited to, the following areas:

- (1) single cableway operation
- (2) multiple cableway operation
- (3) cableway disconnecting means
- (4) work to be done on cableway
- (5) work to be done other than on a cableway but within the path of a cableway where its movement creates a hazard



# آریا ایمن آوات